

High Watt Fan Heater Series 1500 950W

Description

The compact Series 1500 high watt fan heater prevents formation of condensation and provides an evenly distributed interior air temperature in enclosures. This fan heater is available with an integrated thermostat for temperature control or a pre-set hygrosstat for humidity control. The S 1500 was designed as a stationary unit for the bottom of the enclosure. For panel or DIN rail mount, the S 1500 fan heater is recommended.



Technical Data:

Heating element
Overheat protection
Heater body
Axial fan, ball bearing
Air flow, free blowing
Connection

high performance cartridge
built-in temperature limiter
extruded aluminum
service life 50,000h at 25°C
160m³/h
2-pole terminal AWG 16 max.
(1.5mm²) with strain relief,
clamping torque 0.8Nm max.

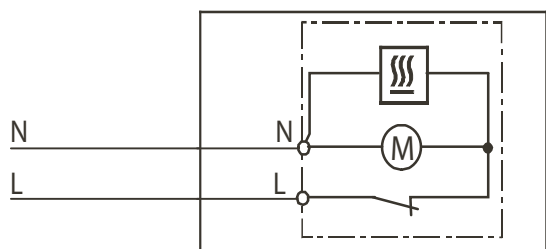
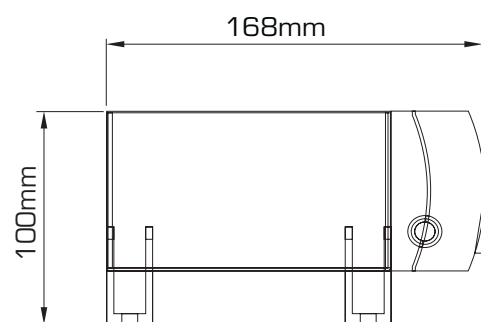
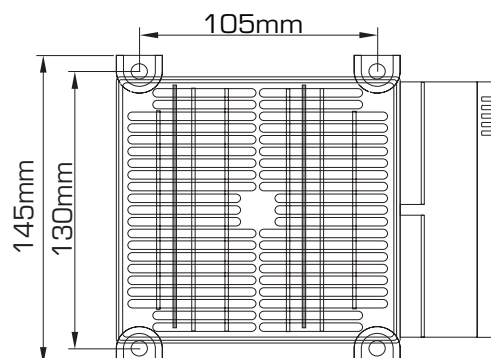
Housing
Mounting
Mounting position
Operating* / Storage temperature
Dimensions
Weight
Protection class
Protection type

plastic, UL 94V-0, black
M5 screws (not included)
horizontal
-45 to +70°C
100 x 145 x 168mm
approx. 1.4kg
II (double insulated)
IP20

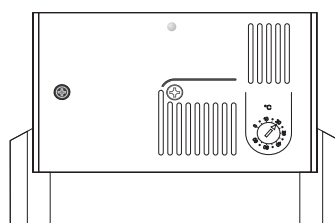
* Operating temperature of heater with integrated hygrosstat: 0 to +60°C

Features:

- Compact design
- Built-in overheat protection
- Integrated adjustable thermostat or fixed hygrosstat
- Double insulated plastic housing



wiring diagram



| Part No. | Heating capacity | Operating voltage | |
|------------|------------------|-------------------|-------------------------------|
| 03051.0-00 | 950W | 230VAC, 50/60Hz | 0 to 60°C |
| 03051.0-02 | 950W | 230VAC, 50/60Hz | 65% RH, factory-set |
| 03051.0-07 | 950W | 230VAC, 50/60Hz | none (no integrated controls) |
| 03059.9-00 | 950W | 120VAC, 50/60Hz | 0 to 60°C |
| 03059.9-02 | 950W | 120VAC, 50/60Hz | none (no integrated controls) |

Specifications are subject to change without notice. Suitability of this product for its intended use and any associated risks must be determined by the end customer/ buyer in its final application.