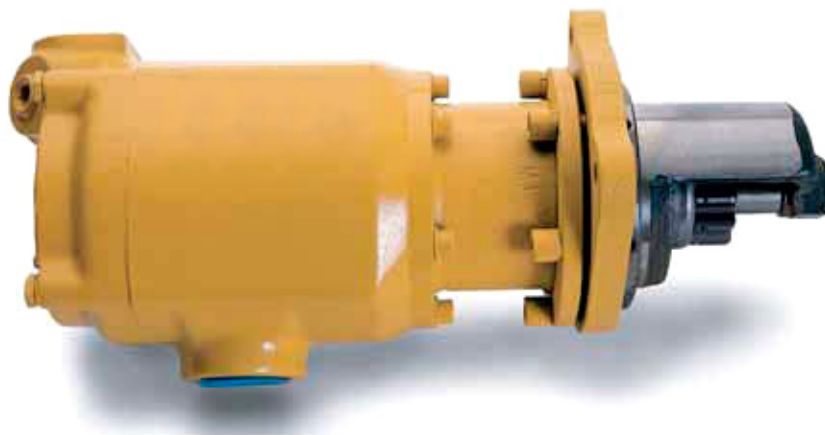


## Air Starters 3BMG/5BMG Series



For engine displacement of: Diesel—up to 8 liters  
Carburated—up to 16 liters

---

### Features and Benefits

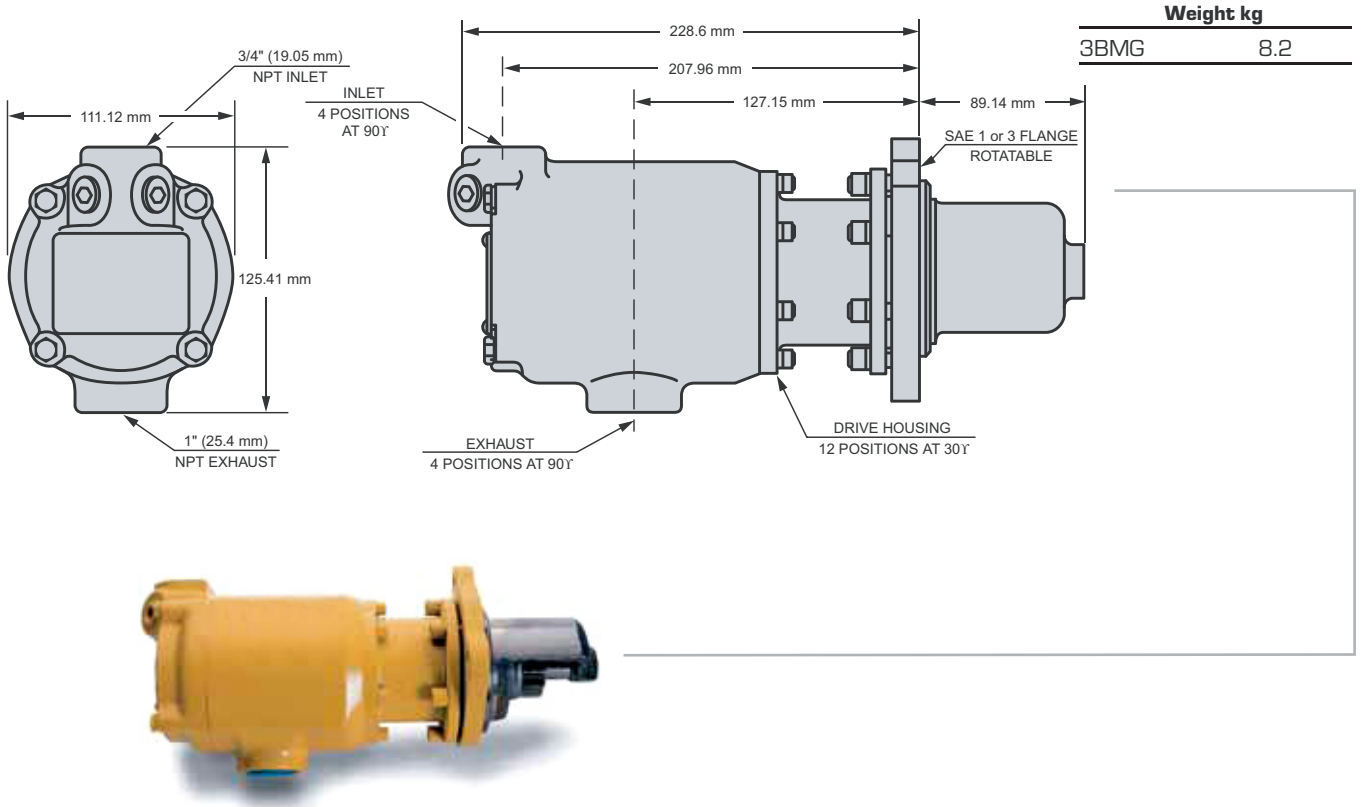
- All models sealed for use in air or gas applications
- Inertia drive for fast, reliable starts
- Compact, inline design
- 9.5 hp motor on 5BMG;  
8.4 hp motor on 3BMG
- Back ports for injection lubricating

---

### Versatile

- 4 inlet, 4 exhaust, and 12 drive housing orientations
- Fits a wide range of small and medium size engines
- 6.2-10.3 bars operation

## Air Starters Dimensions 3BMG Series



## 5BMG Series DIMENSIONS

