

Air Starters SS175/SS350 Series



For engine displacement of: Diesel—3 to 20 liters
Carburated—6 to 40 liters

Features and Benefits

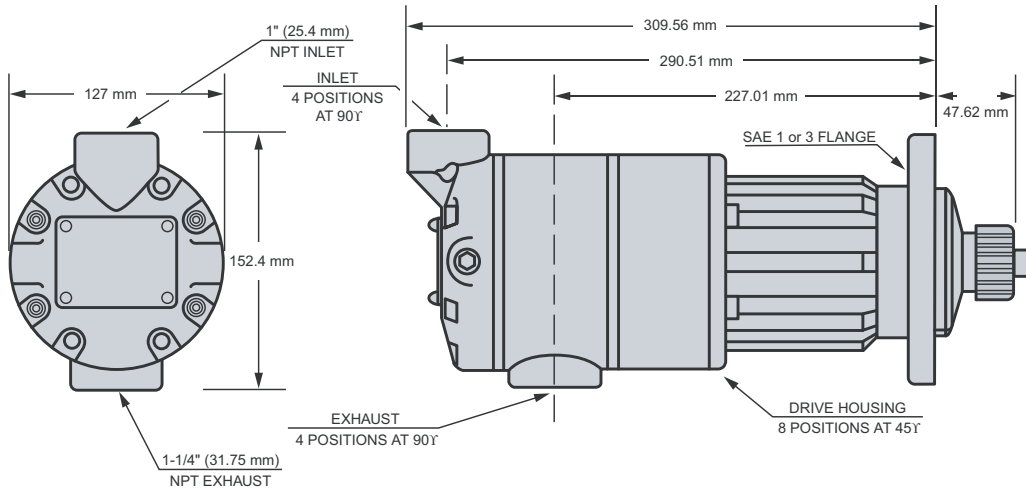
- Sealed for use in air or gas applications
- Rugged 36 hp motor on SS350;
18 hp motor on SS175
- Overhung pre-engaged pinion design for fit-up flexibility
- Backcap ports for injection lubricating

Versatile

- Left- and right-hand rotation available
- 4 inlet, 4 exhaust, and 12 housing orientations
- 6.2-10.3 bars operation
- Compact, lightweight design makes installation easier
- SAE01 and SAE03 flanges fit most worldwide manufacturers' engines

Air Starters

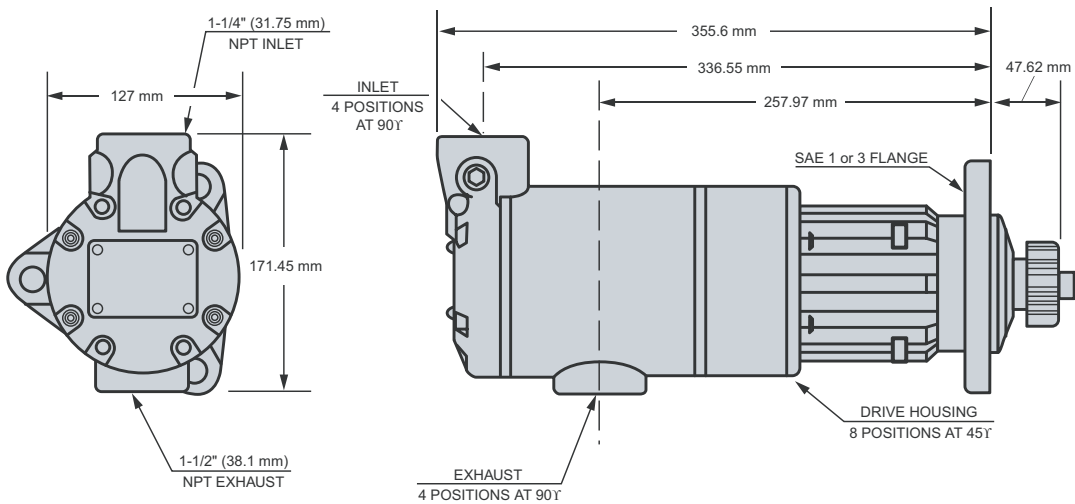
SS175G DIMENSIONS



Weight kg	
SS175G	13.2



SS350G DIMENSIONS



Weight kg	
SS350G	15.0

