

Air Starters 150BM Series



1 Starter in the Oil and gas industries

For engine displacement of: Diesel—8 to 32 liters
Carburated—16 to 64 liters

Features and Benefits

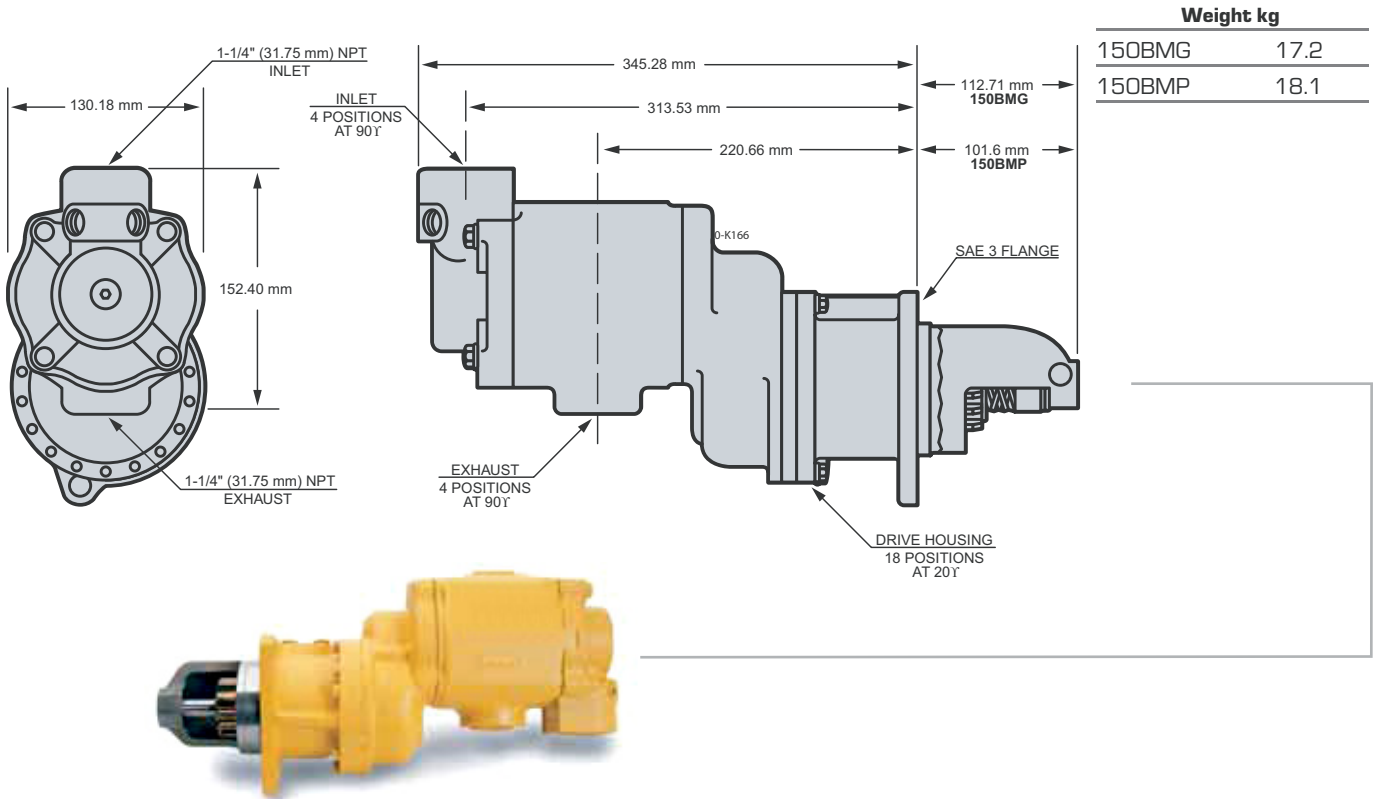
- 150BMG model sealed for use in gas or air applications
- Rugged 34 hp motor
- Multiple offset gear ratios: C = 2.69:1
E = 3.46:1
D = 3.94:1
- Backcap ports for injection lubricating

Versatile

- Inertia and pre-engaged drives available
- Left- and right-hand rotation available
- 4 inlet, 4 exhaust, and 18 drive housing orientations
- 6.2-10.3 bars operation
- Inline and offset designs

Air Starters

150BMG/150BMP Series DIMENSIONS



150BMPD Series DIMENSIONS

