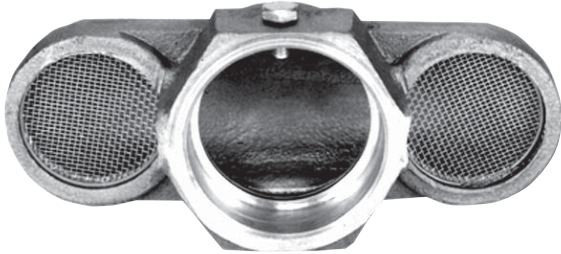


Double Outlet Vent Model 155



Model 155

Description

The aluminum T-style vent is used primarily on small fuel oil storage tanks.

The T-style vent has outlet ports on either side of the inlet that have 0.8 mm stainless steel screens that keep debris out of the airway.

Construction

- Body: Aluminum
- Screen: Stainless Steel
- Seal: Viton

Connection

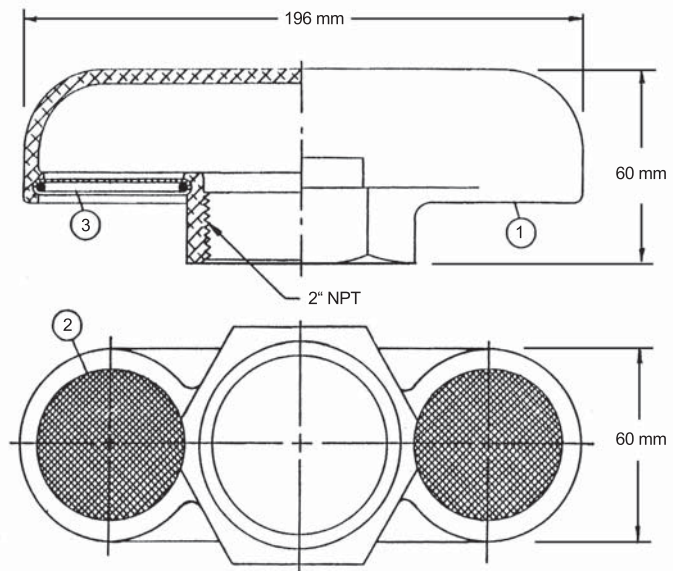
- Slip-on Connection
- BSP or NPT Threaded Connection

Size

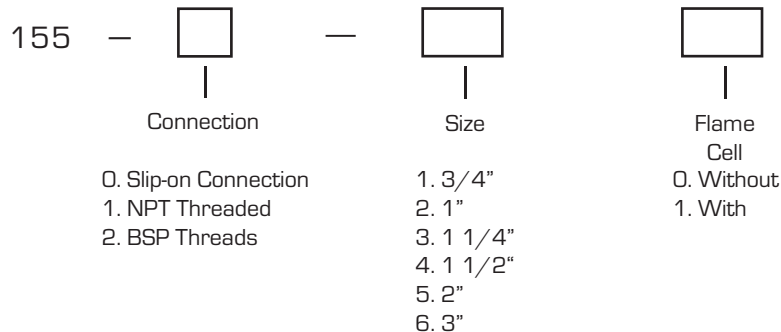
- 3/4"
- 1"
- 1 1/2"
- 2"
- 3"

Part List	
NO.	Name
1	Body
2	Screen
3	Snap Ring

General Dimensions



Key to Double Outlet Vent Model Numbering



Example:



Indicates a Double Outlet Vent with a 1 1/2" NPT Threaded Connection and a pre-installed Flame Cell.