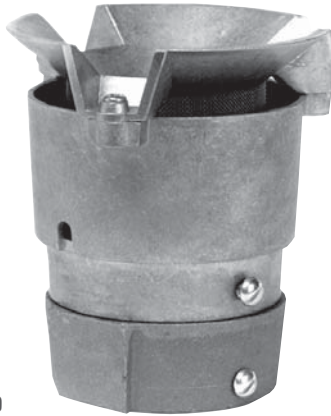


## Pressure / Vacuum Vent Model 749



Model 749

### Description

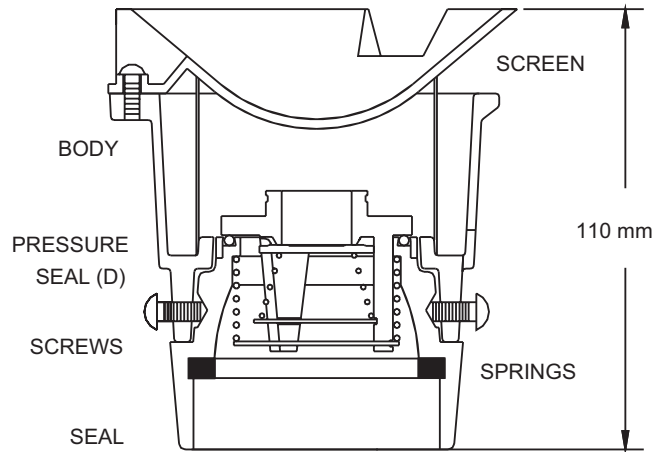
Model 749 Vent valve is used on underground & low volume aboveground tanks for motor fueling. The vent allows the tank to “breathe” during filling/dispensing operations.

Poppets seal vapors in the tank when pressure is equalized. Settings are approximate.

### Construction

- Body: Anodized Aluminum
- Pressure Poppet: Anodized Aluminum
- Vacuum Poppet: Brass
- Screen: 40 Mesh Brass
- Springs: Stainless Steel
- Screws: Zinc-Plated Steel
- Body Seal: Buna-N

### Detailed Drawing



### Key to Pressure / Vacuum Vent Model Numbering

749	—	□	—	□	□	□	
		Connection Type		Pressure Setting		Vacuum Setting	Pressure Seal
		1. 2" NPT 2. 2" Slip on style		1. 34.5 mbar 2. 51.7 mbar		1. 2.2 mbar 2. 21.6 mbar	1. Metal/Metal Seat 2. Metal/Viton O-Ring Seat

Example:

749 — 2 — 1 1 1

Indicates a Pressure / Vacuum Vent with a 2" NPT Connection, a pressure setting of 34.5 mbar and a vacuum setting of 2.2 mbar. The Pressure Seal is manufactured from a Metal/Metal Seat.