

## Barge and Tanker Vent Model 153

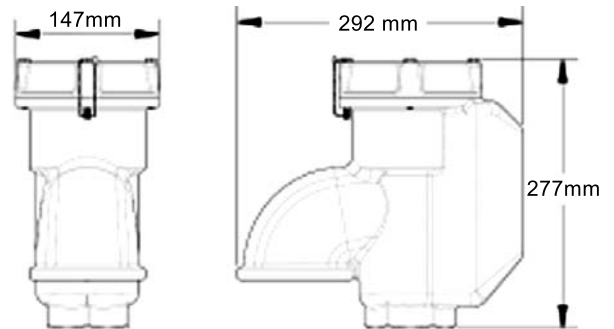


### Description

The Barge and Tanker Vent is used for pressure and vacuum venting of compartments on barges.

The Barge and Tanker Vent was tested by a 3rd party testing center for the opening pressures of the pressure and vacuum plunger. It was also tested for flow capacity. Each valve passed the tests within the requirements of the U.S.CG specifications.

### General Dimensions



### Construction

**Model 153BSS**

- stainless steel 316 construction.
- U.S.CG approved

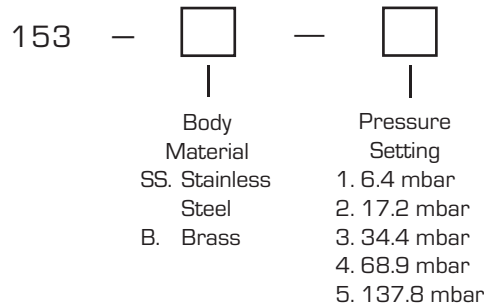
**Model 153B**

- brass construction.
- U.S.CG approved

### Pressure/Vacuum Vent Setting Range

Model Numbers	Sizes Available	Connections	Pressure	Vacuum
Model 153SS / 153B	2 1/2"	NPT	6.4 to 137.8 mbar	6.4 mbar

### Key to Barge and Tanker Vent Model Numbering



Example:



Indicates a Barge and Tanker Vent with a Stainless Steel body and a pressure setting of 68.9 mbar, the vacuum setting is 6.4 mbar