

## Gate Valves (With Expansion Relief) Model 234 & 235



**Model 235RF**  
Aluminum  
Flanged Model



**Model 234**  
Flanged



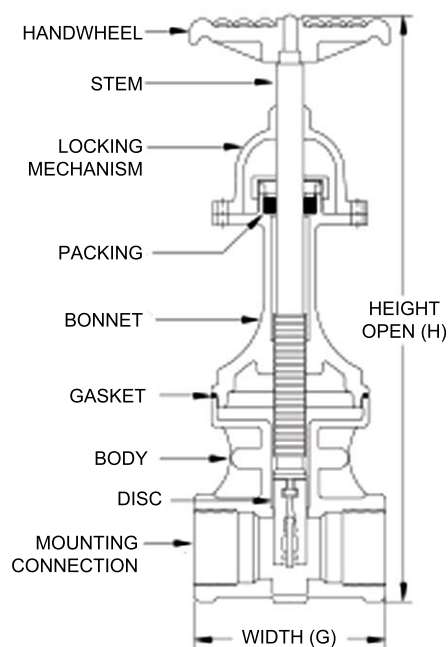
**Model 235**  
Threaded

### Description

The model 234 & 235 Gate Valves are rising stem double disc style positive shut-off valves. Temperature rating is -46 to 232 °C. Cold non-shock pressure rating is 13.8 bar.

Model 234 & 235 valves are available with optional locking bonnets. Model 234 flanged gate valves conform to ANSI B16.42 Specifications for Class 150 raised face flanges.

### Detailed Drawing



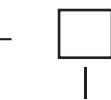
### Construction

- Handwheel: Painted aluminum
- Stem: Brass / Ductile Iron
- Discs: Brass / Ductile Iron

| Model | Connection | Size | H in mm | G in mm |
|-------|------------|------|---------|---------|
| 235   | Threaded   | 1.5" | 318     | 83      |
| 235   | Threaded   | 2"   | 368     | 102     |
| 235   | Threaded   | 3"   | 495     | 111     |
| 234   | Flanged    | 2"   | 409     | 152     |
| 234   | Flanged    | 3"   | 555     | 164     |
| 235RF | Flanged    | 3"   | 392     | 108     |
| 234RF | Flanged    | 4"   | 483     | 137     |
| 234RF | Flanged    | 6"   | 687     | 159     |

### Key to Emergency Shutoff Valve Model Number

234/235/235RF



Connection  
Size  
1 1/2" thru 6"



Expansion  
Relief  
0. No expansion  
Relief  
1. With expansion  
Relief



Body  
Material  
DI. Ductile Iron  
BR. Brass  
AL. Aluminum



Gasket  
0. PTFE  
1. General  
Purpose  
2. Viton



Locking  
Mechanism  
0. No locking  
Mechanism  
1. With Locking  
2. Mechanism

Example:

234/235/235RF



Indicates a Pressure/Vacuum Vent with a 3" NPT Thread. The Poppet and Seat are made of Brass and the body is made of Aluminum. The Vent has a Pressure Setting of 58 mbar and a Vacuum Setting of 4.3 mbar