

Internal Safety Shutoff & Operating Valve Model 96330

Model 96330 Internal Safety Shutoff and Operating Valve provides automatic quick acting shutoff of product flow in tanks and manifold lines. This valve is used most effectively for safety shutoff or operating valve in manifold lines. Its action is bi-directional with respect to flow and pressure, and its balanced piston design resists opening due to tank or line pressure.

This valve also is ideally suited for "switch service" of LP-GAS, anhydrous ammonia, and similar products. Alternate materials of construction may be specified to meet other product requirements and operating temperatures in the range of -10° to +66°C.

The Model 96330 Internal Safety Valve is designed to be held in a normally closed or open position by a spring-loaded balanced type piston. The valve checks closed in either direction when operating pressure is removed.

Several unique items are incorporated providing the most reliable quick-closing shutoff valve available.
A) The piston seal is sensitive to pressure differential to seal fluid in either direction.



Model 96330 is self adjusting to pressure conditions, and the configuration provides ideal wiping and bearing action.

B) The plunger seal is spring-loaded to adjust to wear and thermal conditions.

C) The valve ring is self-aligning to assure proper seating action in a design that permits greater seating thrust than available in conventional flat seating systems. Valve ring and seating design also incorporates a self-cleaning function.

Features and Benefits

- Self-adjusting seals in any thermal or wearing condition
- Fusible plugs automatically release operating pressure in case of fire
- Fail safe under all conditions, unaffected by tank or line pressure
- Adaptable to ambient fluid products such as LPG and/or Ammonia
- Efficient as an operational valve for on-off service with flow and pressure in either direction
- Less than 100 m³/h air leakage @ 7 Bar between tank and line
- Bubble tight from product to hydraulic
- Optional Redundant Springs system

Internal Safety Shutoff & Operating Valve Setting Range

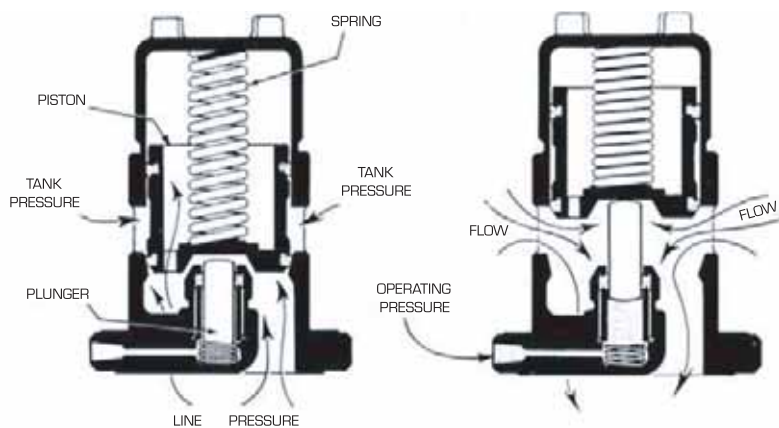
Model Numbers	Sizes Available	Connections	Pressure	Temperature Range
Model 96330	2", 3", 4", 6", 8", 10" 12" and 14"	RF ANSI 300 lb. RF ANSI 150 lb.	24 Bar to 67.0 Bar	-45 to +66 °C

Materials of Construction

Base, Cylinder, Piston	Plunger, Spring, Washer and Retainer	Main Spring	Adapter Sleeve and Bonnet	Soft Goods
Steel Weldment Nickel Plated Stainless Steel	Stainless Steel	Spring Steel Stainless Steel	Aluminum Stainless Steel	Teflon

Internal Safety Shutoff & Operating Valve Model 96330

Principle of Operation



To open the valve, hydraulic fluid pressure is applied to the plunger which moves to open the normally closed piston.

Quick shutoff is accomplished by the following remote controlled mechanism:

1. Fusible plug(s) in the operating hydraulic line which release at a predetermined temperature;
2. Frangible element(s) which can be quickly snapped off by hand;
3. A quick manual release on the hydraulic operating fluid source;
4. Fail-safe pneumatic operator for remote valve closure.
5. Remote through special solenoid valve.

Operating pressure to fully open valve ranges from 24 to 67 Bar depending on product pressure and valve size. Valves are provided with raised face flanges as standard to match ANSI 300 lb. Optional oversize flanges are available when required.

Key to Internal Safety Shutoff & Operating Valve Model Number

96330	—	□	—	□	□	/	□	□	
		Connection Size (2", 3", 4", 6", 8", 10" 12" and 14")		Flange Type 1. Std. 300 lb. 2. Full 300 lb. 3. Std. 150 lb.	Body Material 1. Steel 2. SS		Seal Type/ Dual Springs 0. Std. Seal 1. Zero Leakage 2. Redundant Springs 3. Zero Leakage- Redundant Springs	Pressure Settings in Bar	Temperature

Example:

96330 — 8 — 1 2 0 / 60 52

Indicates an Internal Safety Shutoff & Operating Valve with 8" 300 lb. ANSI Flange. The Body is made of Stainless Steel and the valve contains a standard Seal. Pressure Setting is 60 Bar at a Temperature of +52°C.