

## Air Starters ST700/ST900 Series



For engine displacement of: Diesel—16 to 320 liters  
Carburated—32 to 660 liters

### Features and Benefits

- Robust gearing handles extended crank cycles
- Sealed for use in gas and air applications
- Powerful 64 hp turbine motor uses no external lubrication
- Quiet turbine motor requires no external lubrication

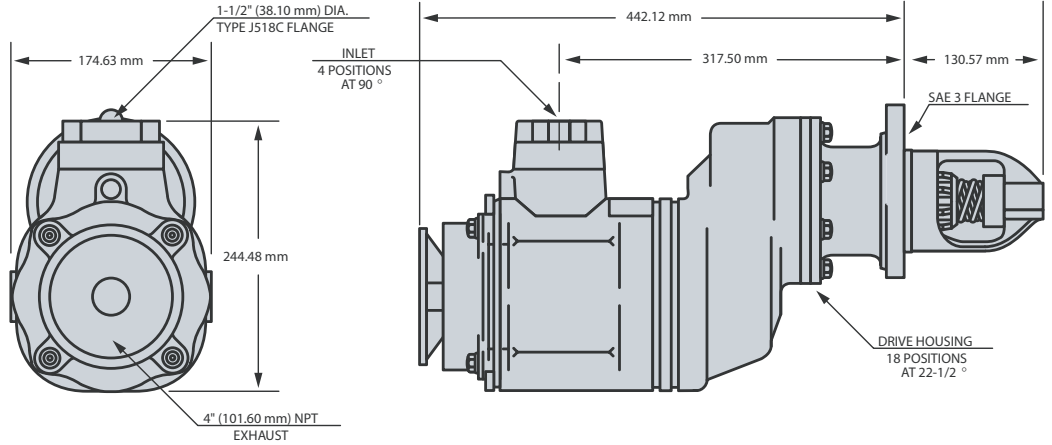
### Versatile

- Left- or right-hand rotation available
- 4 inlet, 4 exhaust, and 16 housing orientations
- 2.1-10.3 bars operation
- Inertia and pre-engaged drives available

## Air Starters

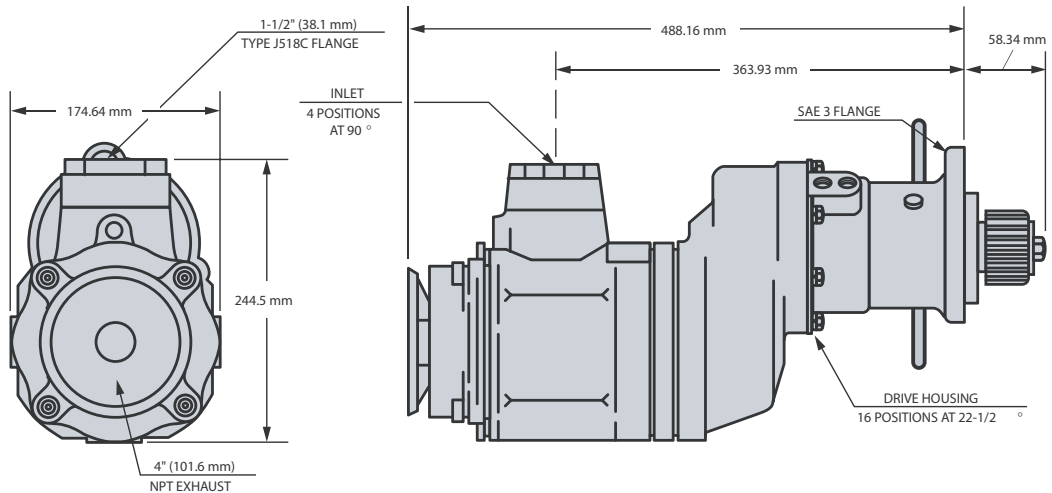
### Dimensions ST750/ST799GBI & ST950/ST999BI Inertia

Weight kg	
ST750/ST799GBI	28.1
ST950/ST999BI	28.1



### ST750/ST799 & ST950/ST999 "B" & "C" Ratio Pre-engaged

Weight kg	
ST750/ST799GBPD	28.6
ST950/ST999BP	28.6



### ST750/ST799GDDP & ST950/ST999DP

Weight kg	
ST750/ST799GDDP	41.7
ST950/ST999DP	41.7

