

Free Vents Model 4000 & 4100

The Models 4000 and 4100 are designed to be used on tanks containing non-volatile liquids. Free Vents offer efficient flow capacity to protect the tank from positive or negative overpressure. They allow vapors to flow freely in and out of the storage tank.

The 4000 and 4100 are designed to protect against rain, dirt, insects and other foreign matter from entering the vent.

Available in aluminum, carbon steel and stainless steel.



Model 4000



Model 4100

Features and Benefits

- Free Vents are built of corrosion resistant materials. A wire mesh screen prevents foreign matter from entering the tank or pipe opening.
- Convenient 150 lb. flange connections for quick and easy installation
- Every Free Vent is factory inspected to meet all critical requirements and special needs.
- Rugged forged design provides years of trouble free service life.
- Available in API, ANSI, DIN and JIS flanges.

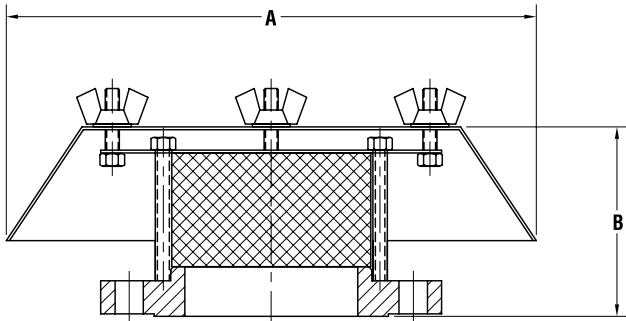
Vent Flange Sizes

Model Numbers	Sizes Available mm (Inch)
Series 4000 & Series 410	50 (2), 80 (3), 100 (4), 150 (6), 200 (8), 250 (10), and 300 (12)

Materials of Construction

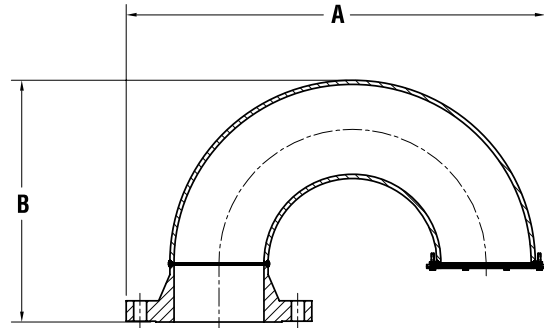
Materials Available
Aluminum, Carbon Steel, 304 Stainless Steel, 316 Stainless Steel, Special

Free Vents Model 4000 & 4100



Model 4000 Dimensions and Weights

Model	150 Lb. Flange Size in. (mm)	A Width mm	B Height mm	Weight Kg
4000	2 (50)	228.6	82.5	5
4000	3 (80)	228.6	82.5	6.4
4000	4 (100)	419.1	127	8.2
4000	6 (150)	419.1	127	12.7
4000	8 (200)	662.3	166.7	19
4000	10 (250)	662.3	166.7	27.3
4000	12 (300)	662.3	166.7	43.2

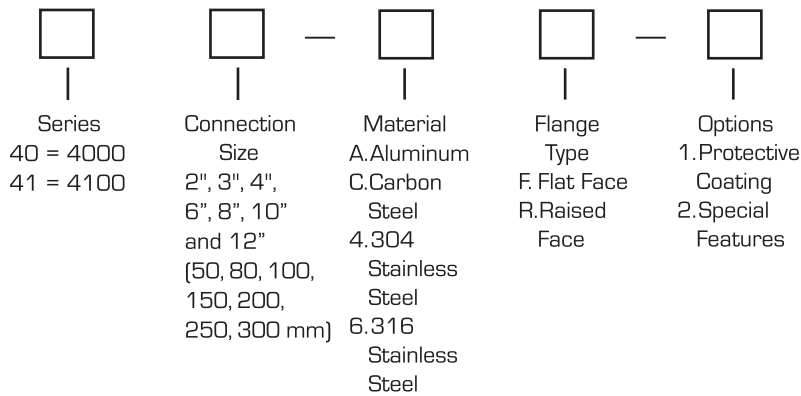


Model 4100 Dimensions and Weights

Model	150 Lb. Flange Size in. (mm)	A Width mm	B Height mm	Weight Kg
4100	2 (50)	279.4	169.9	3.6
4100	3 (80)	387.4	228.6	9.1
4100	4 (100)	495.3	285.8	15.9
4100	6 (150)	698.5	401.6	31.8
4100	8 (200)	908.1	515.9	61.4
4100	10 (250)	1117.6	619.1	106.8
4100	12 (300)	1333.5	708	159

Larger sizes are available on special order.

Key to Series 4100 Free Vent Model Number



Example:



Indicates a Free Vent with a 4" ANSI 150 lb. raised face flange connection made with carbon steel materials.