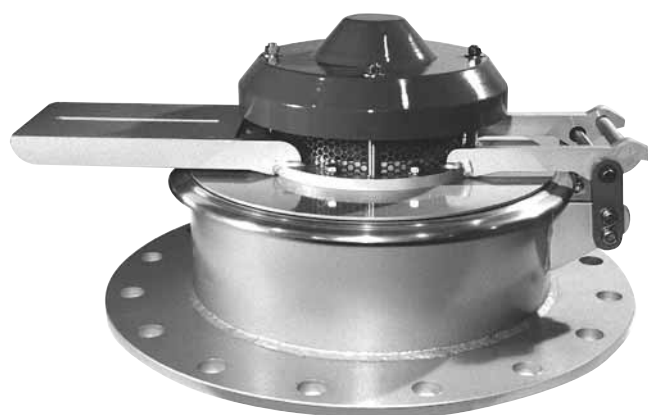


# Emergency Relief Vent Model 2500

The Series 2500 is designed to provide an emergency pressure relief opening for storage tanks when exposed to over pressures that are not handled by standard tank vents. These vents provide the capacity to meet API standard 2000 for emergency venting due to fire exposure when properly sized and provides high capacity vacuum flow for emergency pump-out of product. These covers also provide quick easy access for tank inspection and maintenance.

When excessive pressure builds within the storage tank the Series 2500 Emergency Pressure Relief Vent's hinged cover begins to open at the predetermined set pressure, relieving excess pressure. When the over pressure has dissipated the cover reseats onto the base. The hinge mechanism prevents misalignment and provides an accurate reseal. When excessive vacuum builds within the storage tank the spring loaded pallet lifts, breaking the seal between the seat and pallet, allowing air to pass through the valve orifice relieving the vacuum buildup. The vacuum valve reseals upon relief and remains sealed.



## Features and Benefits

- Advanced seal technology exceeds the most stringent of industrial standards for allowable leakage and provides excellent set point accuracy.
- Every Series 2500 vent is factory inspected and leak checked and certified.
- Corrosion resistant coatings are available for even the most corrosive of applications.
- Certified flow capacity curves are available for the full product size range.
- Available in API, ANSI, DIN and JIS flanges.

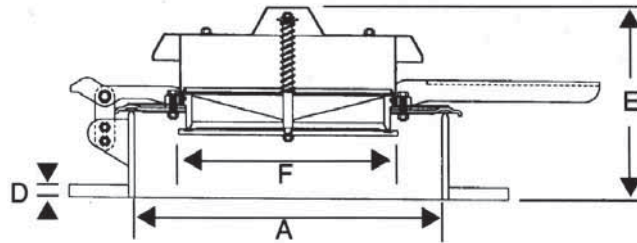
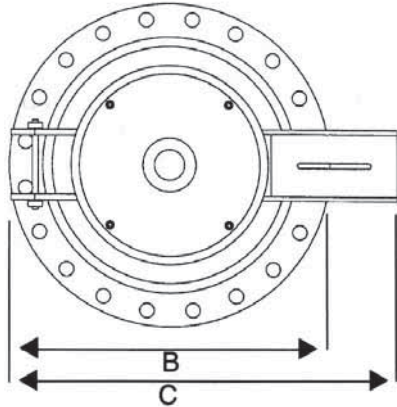
## Vent Setting Range

Model Numbers	Sizes Available Inch (mm)	Pressure	Vacuum
Series 2500	ANSI 16" (400), 20" (500), 24" (600) API 20" (500), 24" (600)	16.0 to 138.0 mbar - 2.2 mbar Increments	2.1, 3.2, 4.3 & 8.6 mbar

## Materials of Construction

Bas, Arm & Hood	Disk & Seal Support	Seal	Vacuum Spring	Vacuum Pallet	Vacuum Seat
Carbon Steel 304 SS 316 SS	Aluminum 316 SS	FEP Teflon Viton Buna-N	302 SS	PPS 316 SS	PPS 316 SS

# Emergency Relief Vent Model 2500



## Selection Guide to Pressure Relief Vent Series 2500

Model	A Size in Inch	B1 ANSI Flange O.D. mm	B2 API Flange O.D. mm	C Overall Length mm	D Flange Thickness mm	E Height mm	F Vacuum Port mm	Weight in Kg (Carbon Steel)	Weight in Kg (Stainless Steel)
2516	16"	597	NA	673	13	318	162	41	45
2520	20"	699	660	851	19	343	305	61	66
2524	24"	813	762	921	25	343	305	88	95

## Key to Emergency Relief Vent Valve Model Number

2500	-	<input type="text"/>	-	<input type="text"/>	<input type="text"/>	<input type="text"/>	-	<input type="text"/>	-	<input type="text"/>	/	<input type="text"/>	-	<input type="text"/>	
		Connection Size 16", 20", 24"		Base, Arm & Hood 1. Carbon Steel 2. 304 Stainless Steel 3. 316 Stainless Steel 4. Exotic		Disk & Seal Support 1. Aluminum 2. 316 Stainless Steel 3. Exotic		Vacuum Pallet & Seat 1. Polypheny- lene Sulfide 2. 316 Stainless Steel 3. Exotic		Gasket Seal T. Teflon N. Buna-N V. Viton X. Special		Bolt Pattern 1. ANSI 2. API		Vacuum Settings in mbar	Options 1. Special Coating 2. Optional Hardware 3. Other

Example:

2500 -  -     -  -  /  -

Indicates a 16" Emergency Pressure Relief Vent with Vacuum, carbon steel base, arm and hood, 316 stainless steel disk and seal support, polyphenylene (PPS) vacuum pallet and seat, teflon pressure and vacuum seals, API 650 flange bolt pattern with 138 mbar pressure setting and 8.6 mbar vacuum setting. Option includes special coating.