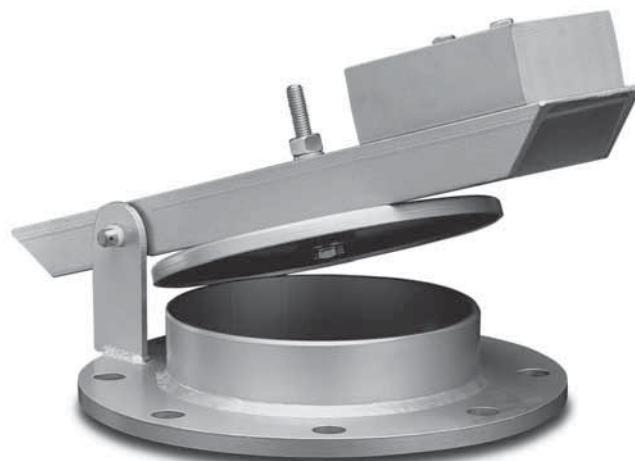


Emergency Relief Vent Model 2000

The Series 2000 is designed to provide an emergency pressure relief opening for storage tanks when exposed to over pressures that are not handled by standard tank vents. These vents provide the capacity to meet API standard 2000 for emergency venting due to fire exposure when properly sized. These covers also provide quick easy access for tank inspection and maintenance.

The Emergency pressure relief vent provides pressure relief only. Vacuum relief must be supplied by normal venting devices or an Series 2500 emergency relief vent with vacuum.

When excessive pressure builds within the storage tank the Series 2000 Emergency Pressure Relief Vent hinged cover begins to open at the predetermined set pressure, relieving excess pressure. When the over pressure has dissipated the cover reseats onto the base. The hinge mechanism prevents misalignment and provides an accurate reset.



Features and Benefits

- Advanced seal technology exceeds the most stringent of industrial standards for allowable leakage and provides excellent set point accuracy (+/-3%).
- All components are field replaceable, including pallet seal without the need for special tools or complex procedures.
- Every Series 2000 vent is factory inspected and leak checked and certified.
- Corrosion resistant coatings are available for even the most corrosive of applications.
- Certified flow capacity curves are available for the full product size range.
- Available in API, ANSI, DIN and JIS flanges.

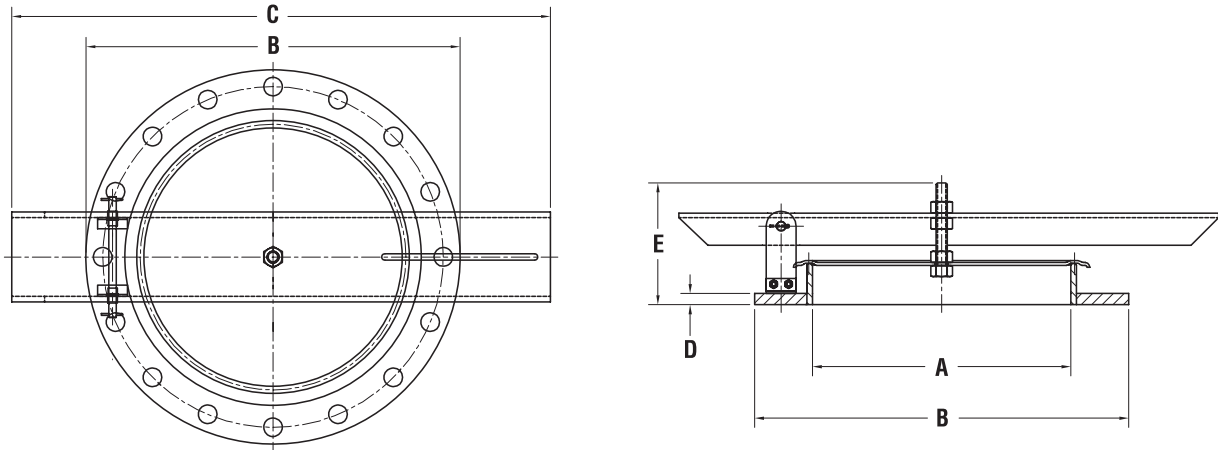
Vent Setting Range

| Model Numbers | Sizes Available Inch (mm) | Pressure | Vacuum |
|---------------|--------------------------------------------------------------------------------------------------------------|-----------------------------------------|--------|
| Series 2000 | ANSI 4" (100), 8" (200), 12" (300), 16" (400), 20" (500), 24" (600) API 8" (200), 20" (500), 24" (600) | 8.0 to 138.0 mbar - 2.2 mbar Increments | NA |

Materials of Construction

| Base | Arm | Disk | Seal | Seal Support |
|----------------------------------|----------------------------------|------------------------------|-------------------------------|------------------------------|
| Carbon Steel 304 SS 316 SS | Carbon Steel 304 SS 316 SS | Aluminum 304 SS 316 SS | Buna-N FEP Teflon Viton | Aluminum 304 SS 316 SS |

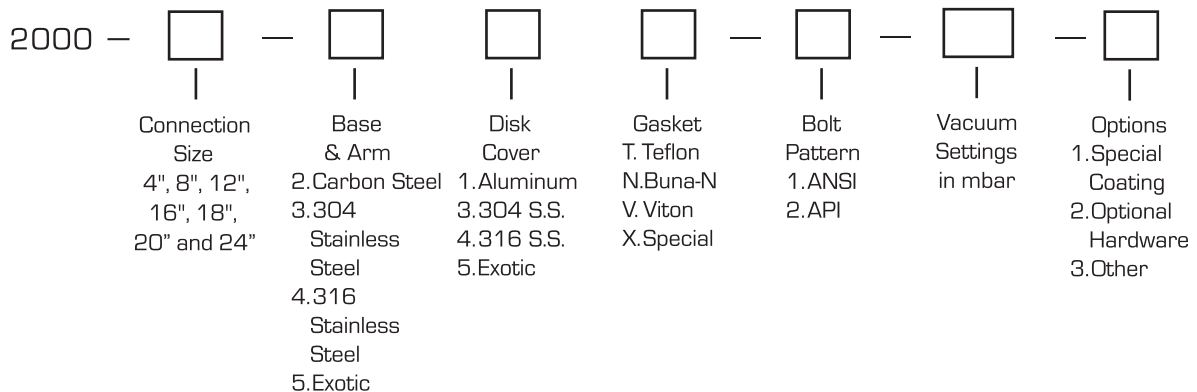
Emergency Relief Vent Model 2000



Selection Guide to Pressure Relief Vent Series 2000

| Model | A Size in Inch | B1 ANSI Flange O.D. mm | B2 API Flange O.D. mm | C Overall Length mm | D Flange Thickness mm | E Height mm | Weight in Kg (Carbon Steel) | Weight in Kg (Stainless Steel) |
|-------|----------------------|---------------------------------|--------------------------------|------------------------------|--------------------------------|-------------------|--------------------------------------|-----------------------------------------|
| 2004 | 4" | 229 | NA | 356 | 13 | 121 | 6 | 6 |
| 2008 | 8" | 343 | 343 | 533 | 13 | 165 | 13 | 13 |
| 2012 | 12" | 483 | NA | 559 | 13 | 165 | 19 | 20 |
| 2016 | 16" | 597 | NA | 737 | 13 | 165 | 43 | 44 |
| 2018 | 18" | 635 | NA | 914 | 19 | 171 | 50 | 54 |
| 2020 | 20" | 699 | 660 | 972 | 19 | 171 | 54 | 58 |
| 2024 | 24" | 813 | 762 | 1041 | 19 | 171 | 80 | 84 |

Selection Guide to Pressure Relief Vent Series 2000



Example:



Indicates a 12" Emergency Pressure Relief Vent with a carbon steel base and arm, an aluminum disk cover with a neoprene gasket, an ANSI 150 lb. bolting pattern, with relief pressure of is 138 mbar.