

# Fiberglass Reinforced Plastic Manhole Cover Model 94063

The FRP 94063 Series Manhole Cover are designed to provide emergency venting relief of low-pressure storage tanks and vessels. These covers also provide quick, easy access for tank inspection and maintenance. When the tank is exposed to abnormal internal pressure beyond the capability of the breather vent, the manhole protects the tank against costly rupture.

The FRP 94065 Series Manhole Cover provides an effective vapor-tight seal until pressure relief is required to protect the tank. Under emergency fire conditions, the cover opens fully to allow escape of vapors and prevents damage to the tank.

Flange, Seat, and Pallets of Derakane 470 Vinyl Ester Resin. 316 SS Studs and TeflonAir® Cushioned Pallet Seating

Other resins and hardware are available to meet exact corrosion requirements including 411 Derakane, Furan, and Hastelloy.

Unit's rugged and lightweight design provides for easy, convenient handling for installation, inspection



and maintenance. The pressure cover is normally restrained to allow automatic reseating. Disconnection of the retaining cord allows the pressure vent cover to be completely removed, thereby allowing access into the tank through the full diameter seat opening. Facilitates tank inspection and repair procedures.

Factory tested prior to shipment to meet high standards. Standard pressure setting of 3.2 mbar on all models. Higher settings are also available.

## Features and Benefits

- 16", 20", 24" Sizes
- Acids & Caustic Services
- Fiberglass Construction
- API 650, ANSI 150 or DIN Flange Drilling
- Easy Maintenance
- Fast Inspection
- Maintains accurate pressure setting
- Leakage Rate of < 100 m<sup>3</sup>/h at 90% of Set Point
- 470 Derakane Std., 411 Derakane and Furan Available

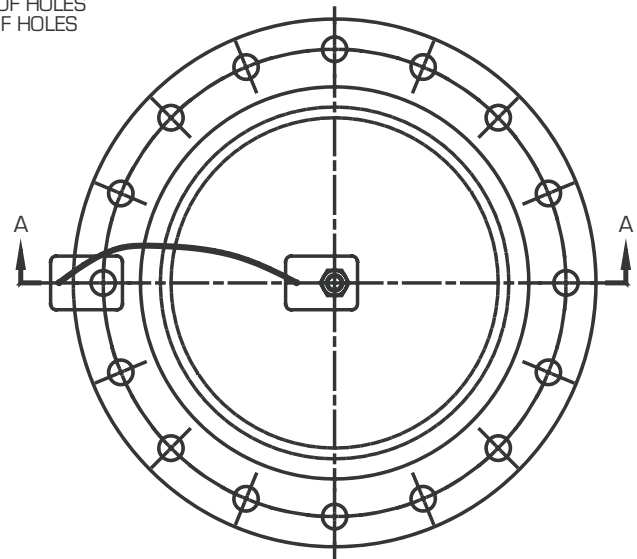
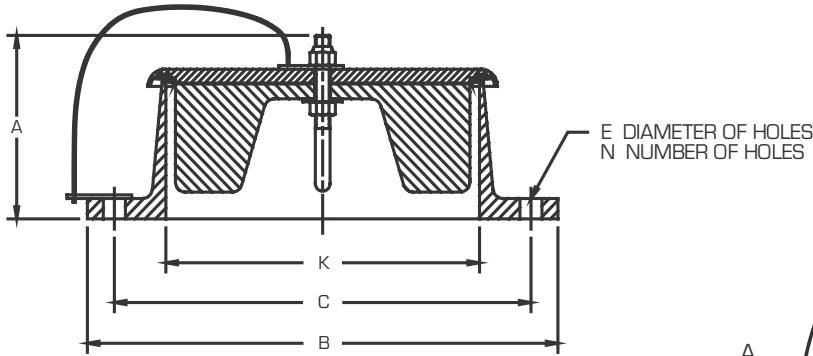
## Fiberglass Reinforced Plastic Manhole Cover Setting Range

Model Numbers	Sizes Available	Connections	Pressure
Model 94063	16", 20" and 24"	API 650, ANSI 150, DIN	3.2 mbar and higher

## Materials of Construction

Body Material	Hardware Material
411 DERAKANE 470 DERAKANE FURAN	Zinc plated steel Stainless Steel

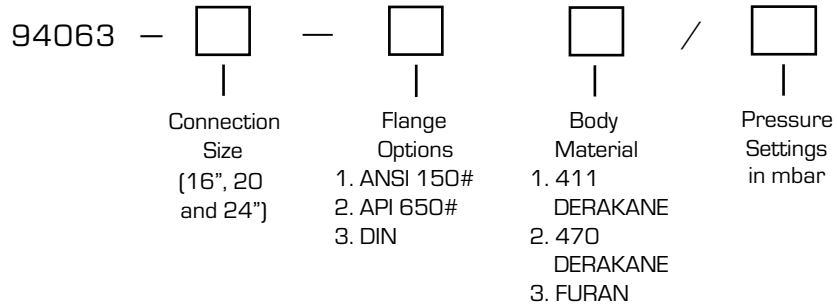
# Fiberglass Reinforced Plastic Manhole Cover Model 94063



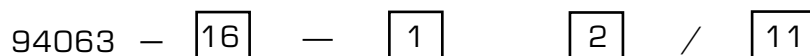
	A	K	C	B	E	N
16" ANSI	229	406	540	597	29	16
20" API	229	521	597	660	19	16
20" ANSI	229	521	635	699	32	20
24" API	229	610	699	762	19	20
24" ANSI	229	610	749	813	35	20

Dimensions in mm.

## Key to Fiberglass Reinforced Plastic Manhole Cover Model Number



Example:



Indicates a Fiberglass Reinforced Plastic Manhole Cover with 16" ANSI Flange, 470 Derakane body and a Pressure Setting of 11 mbar.