

# Emergency Vent and Manhole Cover Fiberglass Model 94065 (Pressure & Vacuum)

The FRP 94065 Series Manhole Cover is designed to provide emergency venting and vacuum relief of low-pressure storage tanks and vessels. These covers also provide quick, easy access for tank inspection and maintenance. When the tank is exposed to abnormal internal pressure or vacuum beyond the capability of the breather vent, the manhole protects the tank against costly rupture or implosion.

The FRP 94065 Series Manhole Cover provides an effective vapor-tight seal until pressure or vacuum relief is required to protect the tank. Under emergency fire conditions, the cover opens fully to allow escape of vapors and prevents damage to the tank. Under vacuum conditions, the spring-loaded vacuum vent will open to relieve excessive negative pressure.

Flange, Seat, and Pallets of Derakane 470 Vinyl Ester Resin. Hastelloy Spring, 316SS Hardware and Teflon Air Cushioned Pallet Seating®

Other resins are available to meet exact corrosion requirements, including 411 Derakane and Furan. Hastelloy and Monel hardware available.



The rugged and lightweight design provides for easy, convenient handling for installation, inspection and maintenance. The pressure cover is normally restrained to allow automatic reseating and to protect the vacuum vent mechanism. Disconnection of the retaining cords allows the pressure vent cover to be completely removed, thereby allowing access into the tank through the full diameter seat opening. Facilitates tank inspection and repair procedures.

Standard pressure setting of 3.3 mbar on all models. Standard vacuum relief setting is 2.2 mbar. Higher settings are also available.

## Features and Benefits

- 16", 20", 24" Sizes
- Acids & Caustic Services
- Fiberglass Construction
- API 650, ANSI 150 or DIN Flange Drilling
- Easy Maintenance
- Fast Inspection
- Maintains accurate pressure setting
- Leakage Rate of < 100 m<sup>3</sup>/h at 90% of Set Point
- 470 Derakane Std., 411 Derakane and Furan Available

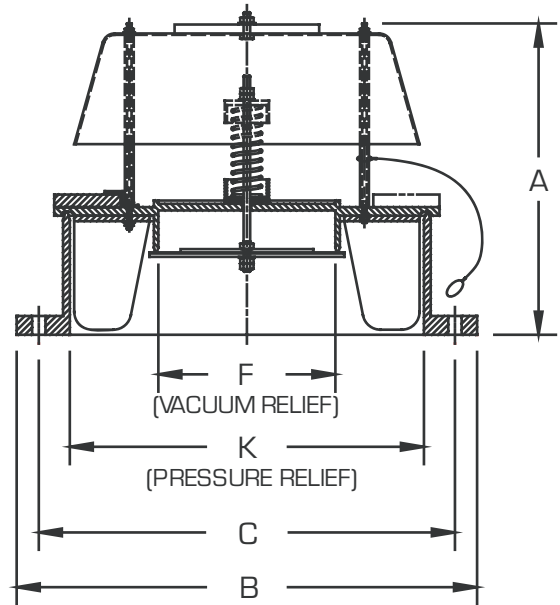
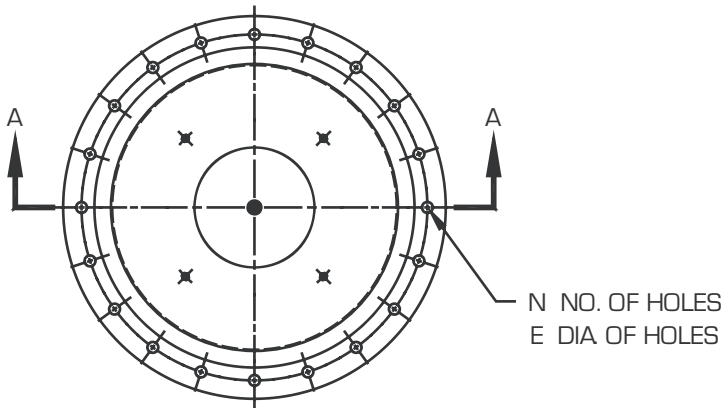
## Emergency Vent and Manhole Cover Setting Range

Model Numbers	Sizes Available	Connections	Pressure & Vacuum
Model 94065	16", 20" and 24"	API 650, ANSI 150, DIN	Pressure: 3.2 mbar or higher Vacuum: 2.2 mbar or higher

## Materials of Construction

Body Material	Vent Type
411 DERAKANE, 470 DERAKANE FURAN, Hastelloy, Monel	OPEN

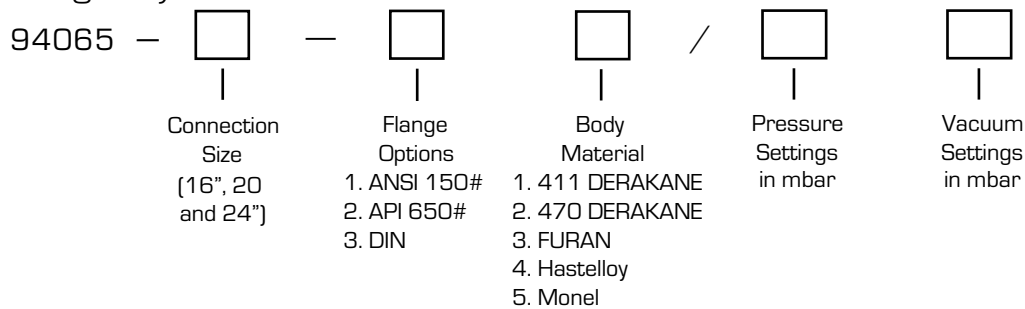
# Emergency Vent and Manhole Cover Fiberglass Model 94065 (Pressure & Vacuum)



SIZE	K	A	B	C	E	N	F
16" ANSI	406	438	597	540	29	16	252
20" API	508	438	660	597	19	16	252
20" ANSI	508	438	699	635	32	20	252
24" API	610	438	762	699	19	20	252
24" ANSI	610	438	813	749	35	20	252

Dimensions in mm.

## Key to Emergency Vent and Manhole Cover Model Number



Example:



Indicates an Emergency Vent and Manhole Cover with 24", DIN Flange. 311 Derakane Body, a Pressure Setting of 7,5 mbar and a Vacuum Setting of 5.0 mbar