

High Performance Pressure Vacuum Relief Valve Vent to Atmosphere Model 950

Model 950 was designed with features to exceed the performance of standard valves on the market.

Standard features include:

- The only dual guided (top and bottom) pallet for smoother valve stroke, less flutter and valve wear,
- Polyphenylene Sulfide (PPS), advanced composite thermoplastic material for seat and pallet providing superior resistance to corrosion, chemical attack, liquid and vapor adhesion, temperature extremes (-46°C to 260°C) and sticking due to valve seat freeze.
- Fully field replaceable pallet and seat assemblies without need for special tools or complex procedures which eliminates the need to send out for rebuilding or total valve replacement (Can be maintained by in house maintenance personnel)

The model 950 vent to atmosphere design maintains a tight seal until system pressure or vacuum exceed the set pressure of the valve. When overpressure occurs



the weighted pallet lifts, breaking the seal between the seat and pallet, allowing vapors to pass through the valve orifice and relieving the pressure or vacuum buildup. The valve reseals upon relief and remains sealed.

Features and Benefits

- Advanced composite thermoplastic (PPS) materials for seat and trim provide superior resistance to corrosion, chemical attack, liquid and vapor adhesion, temperature extremes (-46° C to 260° C) and sticking due to valve seat freeze.
- Patented Saber Guide valve system provides for smooth valve stroke during operation and reduces valve wear.
- Exceeds the most stringent standards for allowable leakage and provides excellent set point accuracy.
- Fully field replaceable pallet and seat assemblies.
- Available in ANSI, DIN and JIS flanges.

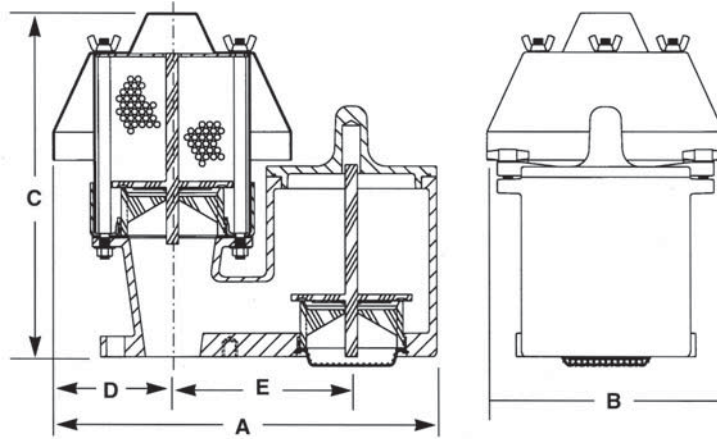
Valve Setting Range

Model Numbers	Sizes Available	Pressure	Vacuum
Model 950	2" (50 mm) through 12" (300 mm)	2.0 to 138.0 mbar (with 2.2 mbar Increments)	2.0 to 138.0 mbar (with 2.2 mbar Increments)

Materials of Construction

Housing	Seat / Pallet	Pallet Seal	Hardware	Weights	Gaskets
Aluminum Ductile Iron Stainless Steel Carbon Steel FRP	PPS 316 S.S.	FEP Teflon Buna-N Viton	Zinc Plated C.S. Stainless Steel FRP	Zinc Plated C.S. Stainless Steel Lead Resin Coated S.S.	Buna-N Teflon Viton

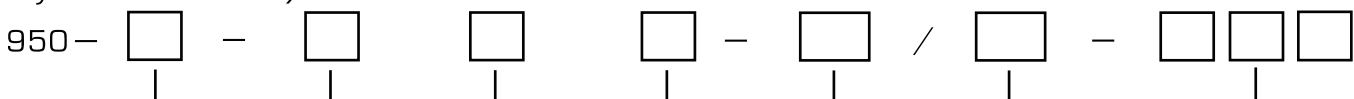
High Performance Pressure Vacuum Relief Valve Vent to Atmosphere Model 950



Model 950 Dimensions and Weights

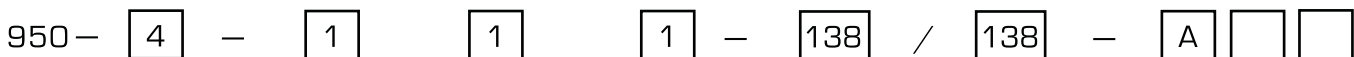
Model	Inlet Conn. Inch	A Overall Length mm	B Overall Width mm	C Overall Height mm	D CL Inlet mm	E CL I/O mm	Weight Kg (Aluminum Unit)	Weight Kg (Ductile-Iron Unit)	Weight Kg (SS)
950	2	406	254	365	127	189	10	23	24
950	3	406	254	375	127	189	10	24	26
950	4	572	356	486	178	249	19	46	50
950	6	578	356	543	178	254	20	52	56
950	8	933	584	641	292	435	56	152	164
950	10	933	584	679	292	435	59	161	174
950	12	1040	584	883	292	484	65	172	184

Key to Pressure/Vacuum Relief Valve Model Number



- Inlet Connection Size (2" thru 12")
- Housing Material
 1. Aluminum
 2. Ductile Iron
 3. FRP Composites
 4. Stainless Steel
 5. Carbon Steel
- Pallet & Seat Ring Material
 1. Advanced Composite (PPS)
 2. 316 Stainless Steel
 3. Other
- Pallet Seal Material
 1. FEP Teflon
 2. Buna-N
 3. Viton
 4. Other
- Pressure Settings in mbar
- Vacuum Settings in mbar
- Options
 - O. No Options
 - A. Special Coating
 - B. S.S. Weights
 - C. Optional Weight Material
 - D. Optional Hardware
 - E. Optional Gasket Material
 - F. Opt. FRP Resins
 - G. Steam Jacket or Trace
 - J. Other

Example:



Indicates a Vent-to-Atmosphere pressure vacuum relief valve with 4" inlet, ANSI 150 lb. flat face flange pattern connections, aluminum housing, advanced composite PPS pallet & seat ring and FEP Teflon pallet seal. Pressure setting is 138 mbar and vacuum setting is 138 mbar. Options include special external epoxy coating of valve.