

Vent Stack Flame Arrester Series 8800 and 9900

Vent Stack Flame Arresters are designed to allow free venting in combination with flame protection for vertical vent applications. They prevent flame propagation by absorbing and dissipating heat using spiral wound crimped ribbon flame cells. These cells allow maximum flow with maximum protection. The Vent Stack Flame Arrester is used to stop the propagation of confined and unconfined low pressure deflagrations. It prevents an ignited atmospheric vapor cloud from propagating beyond the Flame Arrester into the vent line or tank.

This type product is installed at the top of atmospheric vent line or storage tank. They are typically used for the end-of-line applications when the system operating pressure is near atmospheric levels and when there is minimal probability of a flame stabilizing on the Flame Arrester element for an extended period.

Vent Stack Flame Arresters allow free venting and flame protection for vertical vent applications. Designed with threaded NPT connections, this Arrester allows removal of the flame cell element without the removal of the venting assembly. Standard housing construction is aluminum, carbon steel, and stainless steel. The element is available in aluminum or stainless steel.



Series 8800 Aluminum



Series 9900 Steel

Features and Benefits

Large crimp opening provide:

- Maximum flow
- Less pressure Drop
- Easy Cleaning
- Less Clogging
- Less Maintenance
- Single Element Design.
- Readily accessible and removable flame cell for easy inspection and service.
- Flanged design available in ANSI, DIN and JIS flanges.

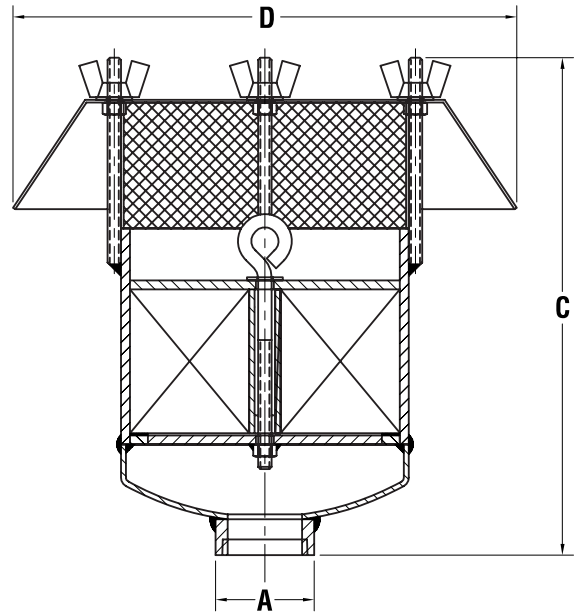
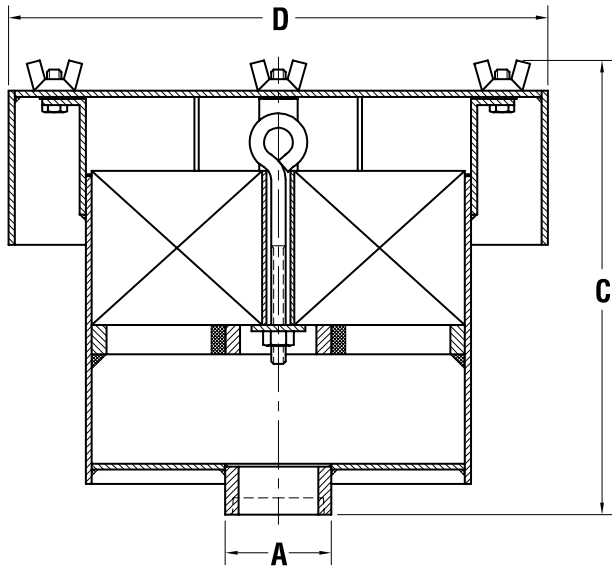
Flame Arrester Specifications

Model	Sizes Available
Model 8800 Vent Stack Flame Arrester Model 9900 Vent Stack Flame Arrester	1/2" through 6" nominal pipe size

Materials of Construction

Housing	Cell	Gas Group
Aluminum Carbon Steel 304 SS 316 SS Hastelloy	Aluminum 304 SS 316 SS Hastelloy	IIA (D)

Vent Stack Flame Arresters Series 8800 and 9900



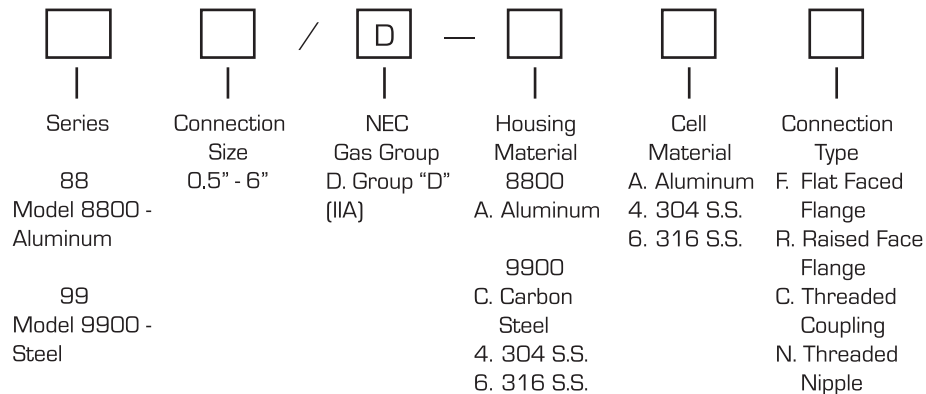
Series 8800 Aluminum Dimensions

Model	A Connection Size In. (mm)	C Overall Height mm	D Outside Dia. mm
8802	2 (50)	365	356
8803	3 (75)	365	356
8804	4 (100)	365	356
8806	6 (150)	365	406

Series 9900 Steel Dimensions

Model	A Connection Size In. (mm)	C Overall Height mm	D Outside Dia. mm
9902	2 (50)	365	356
9903	3 (75)	365	356
9904	4 (100)	365	356
9906	6 (150)	365	406

Key to Series 7 Flame Arrester Model Number



Example:



Indicates a 8800 Series Vent flame Arrester with an aluminum housing, a 2" threaded coupling and 304 stainless steel NEC Group "D" flame cell element.