

Threaded Inline Flame Arrester

Threaded Inline Flame Arresters are designed to stop the propagation of confined low pressure deflagrations. The Inline series prevent flame propagation by absorbing and dissipating heat using spiral wound crimped ribbon flame cells. These cells allow maximum flow with maximum protection.

The Inline series is typically used for end-of-line and near end-of-line applications when the system operating pressure is near atmospheric levels and when there is minimal probability of a flame stabilizing on the Flame Arrester element for an extended period. Typical applications include small fuel-assist lines, waste gas on reboilers and small instrumentation lines.

Designed with threaded or flanged connections. Standard housing construction is aluminum, carbon steel, and stainless steel. The element is available in aluminum or stainless steel. Special material and protective coatings are available on request.



Features and Benefits

Large crimp openings provide:

- Maximum flow
- Less pressure Drop
- Easy Cleaning
- Less Clogging
- Less Maintenance
- Single Element Design.
- Readily accessible and removable flame cell for easy inspection and service (2 in. connections and up).
- Economical design.
- Bi-directional design.
- Available in ANSI, DIN and JIS flanges.

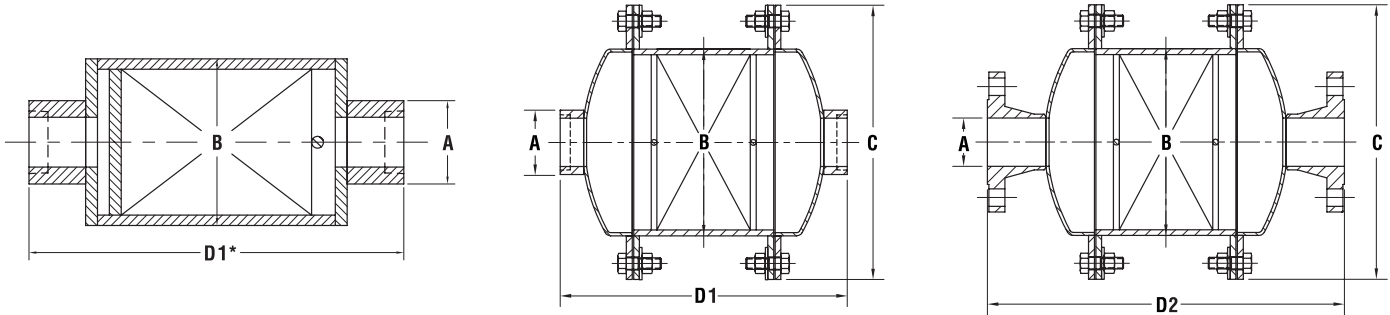
Flame Arrester Specifications

Model	Sizes Available
Inline Flame Arrester	1/2" through 8"

Materials of Construction

Housing	Cell	Gas Group
Aluminum Carbon Steel 304 SS 316 SS Hastelloy	Aluminum 304 SS 316 SS Hastelloy	IIA (D)

Threaded Inline Flame Arrester

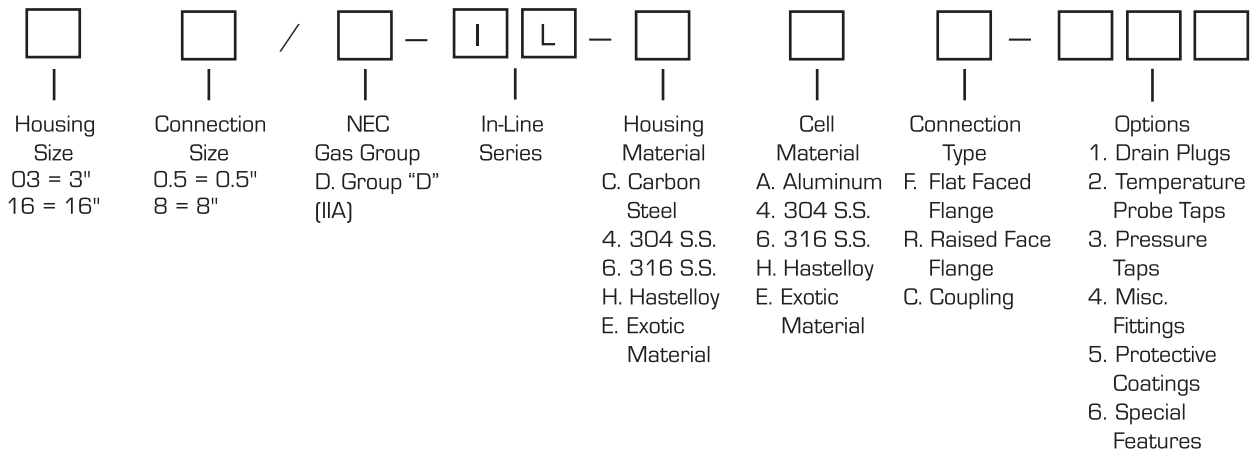


Threaded Inline Flame Arrester Dimensions

Model	A Connection Size In. (mm)	B Housing Size mm	C Outside Diameter mm	D1 Threaded Conn. Overall Length mm	Weight Kg (SS Cell) Threaded	D2 Flanged Conn. Overall Length mm	Weight Kg (SS Cell) Flanged
300.5-IL	.5 (12)	75	88.9	*187.5	4.5	NA	NA
300.75-IL	.75 (19)	75	88.9	*190.5	4.5	NA	NA
301-IL	1 (25)	75	88.9	*200.2	4.5	NA	NA
402-IL	2 (50)	100	114.3	*215.9	7.7	NA	NA
802-IL	2 (50)	200	298.5	311.2	26.3	390.5	26.3
803-IL	3 (75)	200	298.5	336.6	30.8	396.9	30.8
804-IL	4 (100)	200	298.5	333.4	35.4	406.4	35.4
1006-IL	6 (150)	250	355.6	342.9	52.2	444.5	52.2
1206-IL	6 (150)	300	406.4	362.0	63.5	463.6	63.5
1408-IL	8 (200)	350	457.2	NA	NA	492.1	83.9
1608-IL	8 (200)	400	508.0	NA	NA	504.8	97.5

Dimensions may vary somewhat from those given above. Allow for a tolerance of ± 25 mm. Threaded Inline lengths vary depending on materials used. Specific dimensions available on request.

Key to Inline Flame Arrester Model Number



Example:



Indicates a Threaded Inline Flame Arrester with a 8" housing and 2" coupling connections. Carbon steel housing material and 304 stainless steel NEC Group "D" flame cell element.