

Series 8 High Pressure Deflagration Flame Arrester

Series 8 High pressure Deflagration Flame Arrester is designed to protect against high velocity and pressure flame fronts inherent in applications beyond the performance range of a standard flame arrester but not yet to the detonation phase of flame development and provide an economical alternative to a detonation arrester. The Series 8 is designed to surpass standard flame arresters for applications that include extended lengths of pipe with one bend, elevated operating pressures and extended flame stabilization on the flame cell element. The arresters are bi-directional and can stop low, medium and high pressure deflagrations. Utilized with a patented element assembly that dampens the high velocities and pressures associated with deflagrations and detonations while quenching the flame front.



Our design is unique in the ability to provide larger flame channels which requires less frequent maintenance and greater ease in cleaning when service is required, translating to less down time. Our patented element offers maximum flow to pressure drop characteristics enhancing the value of our product in any system.

Designed with flanged connections, this Arrester provides the option of the removal of the flame cell element for easy cleaning and replacement without disconnecting of the pipe connection. Standard housing construction is carbon steel and stainless steel. The element is available in stainless steel. Special material and protective coatings are available on request.

Features and Benefits

Large crimp opening provide:

- Maximum flow
- Less pressure Drop
- Easy Cleaning
- Less Clogging
- Less Maintenance

- Bi-Directional Design.
- Removable Element design allows for easy inspection, cleaning and replacement.
- Fluoropolymer coated hardware provides outstanding corrosion and chemical resistance.
- Standard temperature ports.
- Available in ANSI, DIN and JIS flanges.

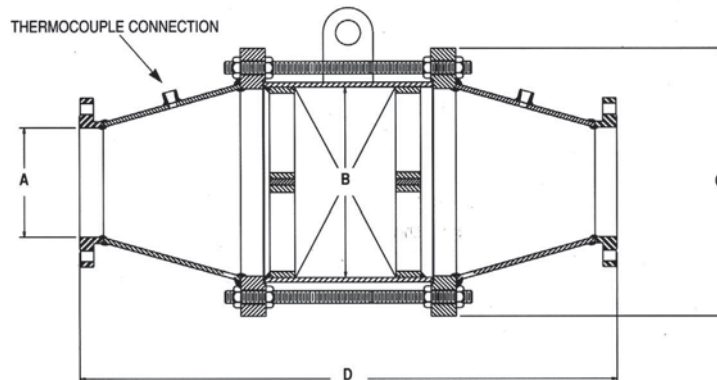
Flame Arrester Specifications

Model	Sizes Available
Series 8 High Pressure Deflagration Flame Arrester	1" through 24"

Materials of Construction

Housing	Cell	Gas Group
Carbon Steel 304 SS 316 SS Hastelloy	304 SS 316 SS Hastelloy	IIA (D) IIB3 (C) IIC (B)

Series 8 High Pressure Deflagration Flame Arrester

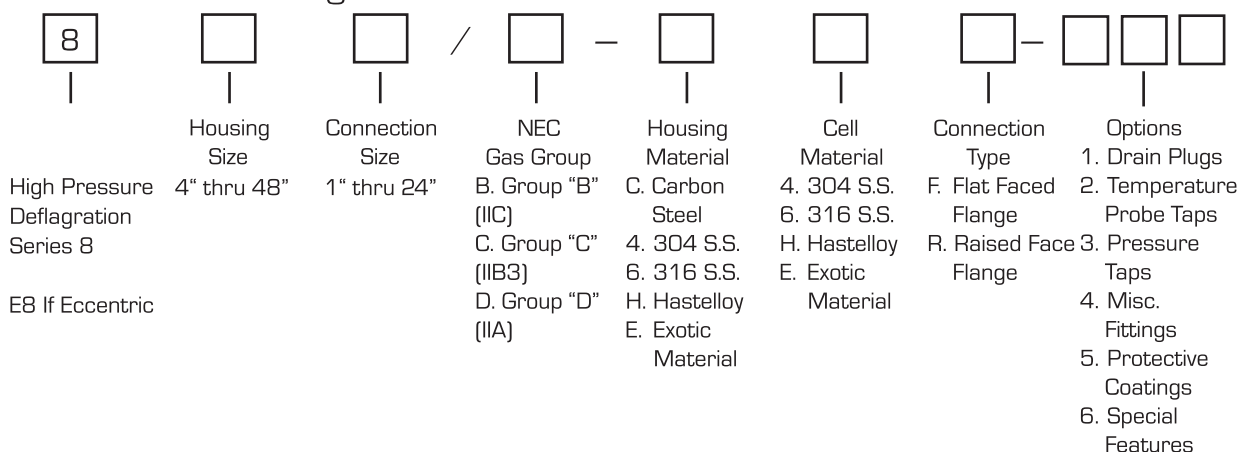


Series 8 Dimensions and Weights

Model	A Connection Size Inch	B Housing Size Inch	C Outside Diameter mm	D Overall Length		Weight Kg (Gas Group D)
				Gas Group B/C mm	Gas Group D mm	
80802	2	8	305	572	521	55.8
80803	3	8	305	572	521	56.7
80804	4	8	305	572	521	59.0
81206	6	12	432	737		152.0
81608	8	16	546	1092		292.6
82010	10	20	660	1168		435.4
82412	12	24	762	1245		548.8

Dimensions may vary somewhat from those given above. Allow for a tolerance of ± 25 mm. Specific dimensions available on request.

Key to Series 8 Deflagration Arrester Model Number



Example:



Indicates a 6" Concentric Series 8 High Pressure Deflagration Flame Arrester with a 12" carbon steel housing, ANSI 150 lb. raised face flange connections and 304 stainless steel NEC Group "D" flame cell element. It also has additional options of drain plugs and temperature probe taps.