

# Fuel Filter, Water Separator and Fuel Heater

## Model 232

Model 232 shown

### General Description

Model 232 Fuel Filtration system is a smaller unit with a fuel flow rate of 230l/ hour compared to the Model 233 (Fuel flow rate: 341l/hour) but offering the same advantages and benefits as its bigger brother.

In addition to long filter life model 232 provides water separation. Furthermore, there are filter preheater options to make sure your diesel engine keeps running longer in any season.

### Specifications

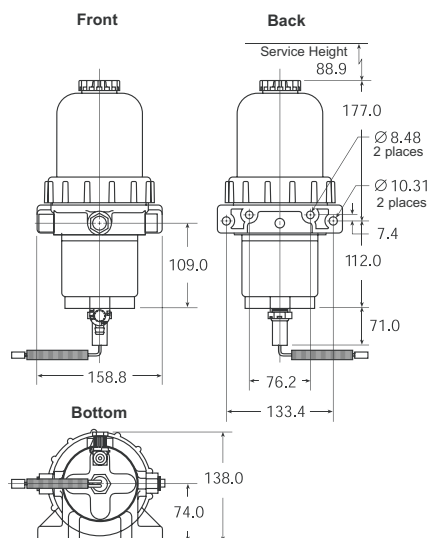
- Weight (Dry) 2.2 kg
- Fuel Capacity (w/o filter) 0.45 litre
- Oper. Fuel Flow Rate 230 litres/hour
- Water Trap Capacity 0.32 litre
- Filter Service Clearance 88.9 mm
- Mounting Bracket Cast in Head
- Electrical Heater 12 VDC, 150 W, 13 A ± 3 A  
24 VDC, 150 W, 6.5 A ± 2 A
- LED indicator (12 & 24 VDC) 3946670S

### Features

- Eliminates unnecessary changes and maintenance
- Extended filter change intervals
- Quick change and easy disposal of filter element
- Metric inlet/outlet ports
- Equipped with Water-in-Fuel Sensor and Harness



### Dimensions (mm)



FH 232 Series with FS 19785 (25 µm) Filter element per SAE J905

