

Air Starters TS700/TS900/TS1400 Series

Starters for
Gas Turbine Engines



TS700/TS900/TS1400 SERIES
MODEL CODING

Features and Benefits

- No oil in drive air is necessary
- Splash lubrication system internally lubricates the planetary gears and motor bearings
- Air cooling extends bearing and seal life
- No internal or external shut-off devices

Versatile

- Multiple spline pinions
- Multiple gear ratios for matching the optimum engine characteristics
- Multiple flange options
- Gas-sealed for application flexibility

TS 7 99 B B E E - L E

TURBINE OR
RECIPROCATING ENGINE

MODEL

ARC: HALF - 50
FULL - 99

CLUTCH TYPE

GEAR RATIO

E = ELBOW
M = V CLAMP

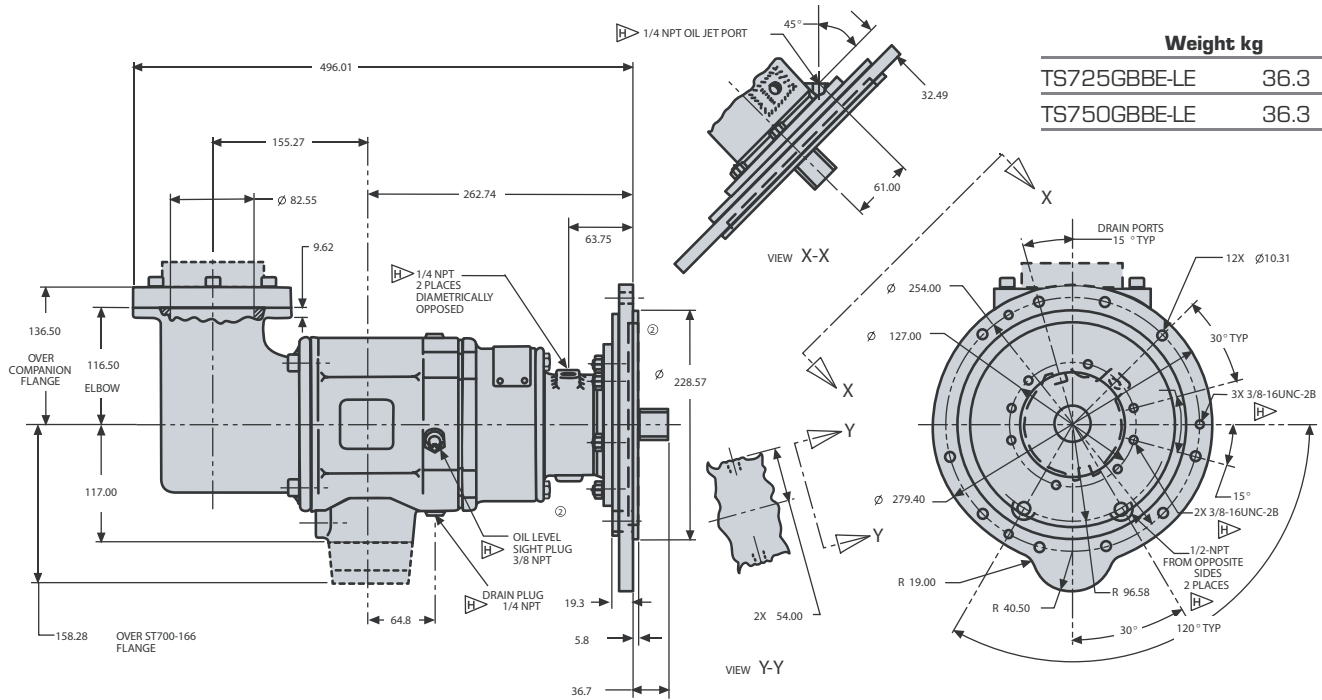
PINION ROTATION R = RIGHT
L = LEFT

SPLINE

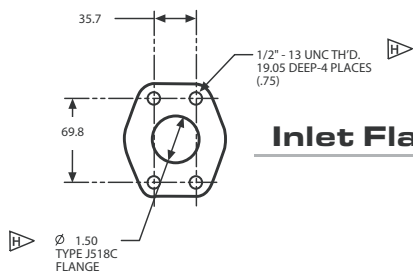
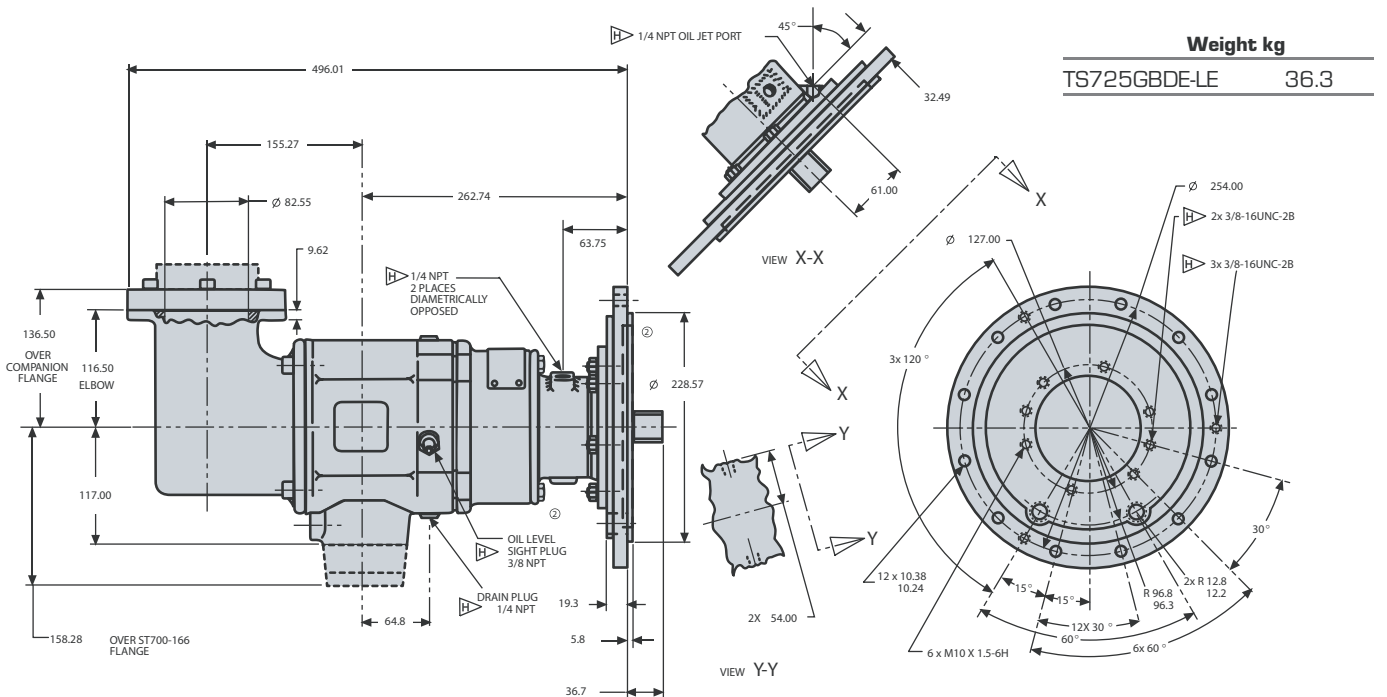
FLANGE

Air Starters

TS725/TS750GBBE-LE DIMENSIONS



TS725GBDE-LE DIMENSIONS



Inlet Flange Kit (ST700-K166) DIMENSIONS

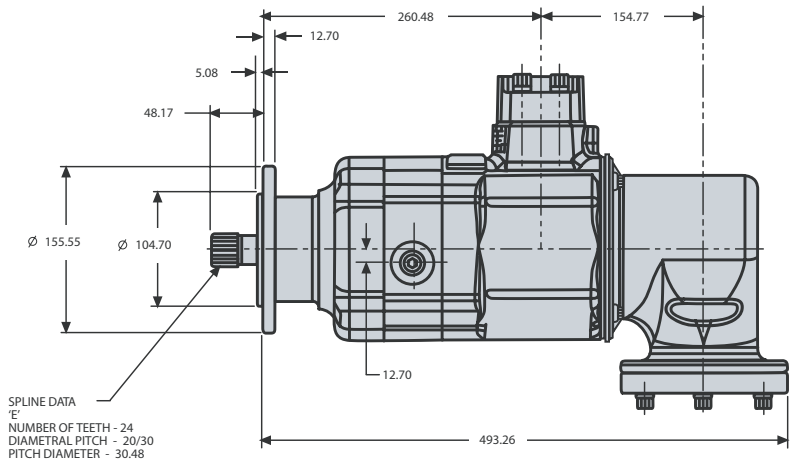
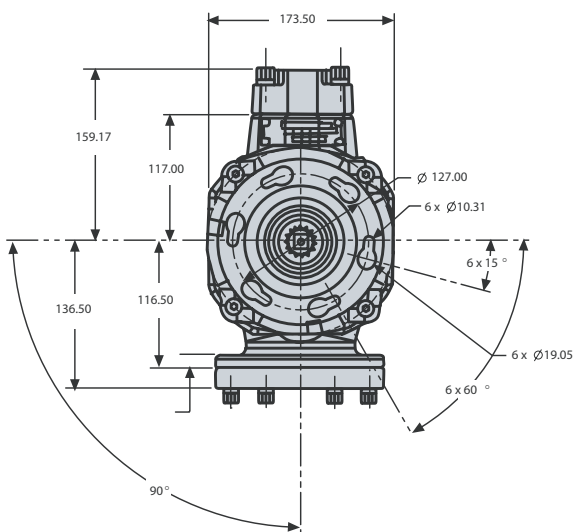
Air Starters

TS700/TS900/TS1400 Series

TS799BBEF-LE DIMENSIONS

Weight kg

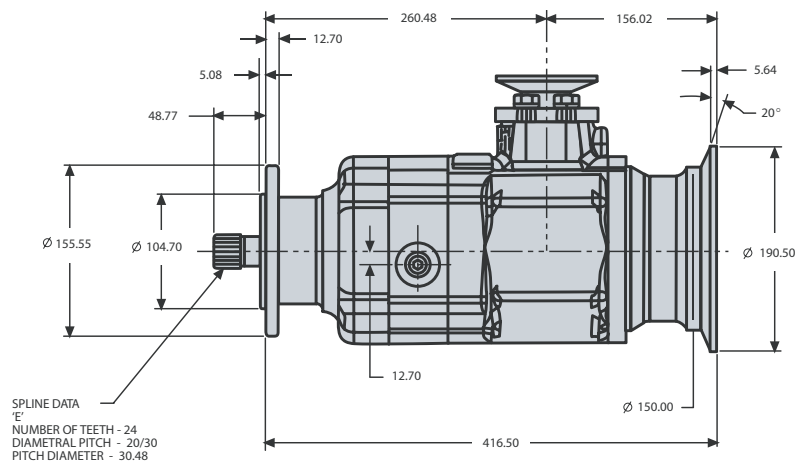
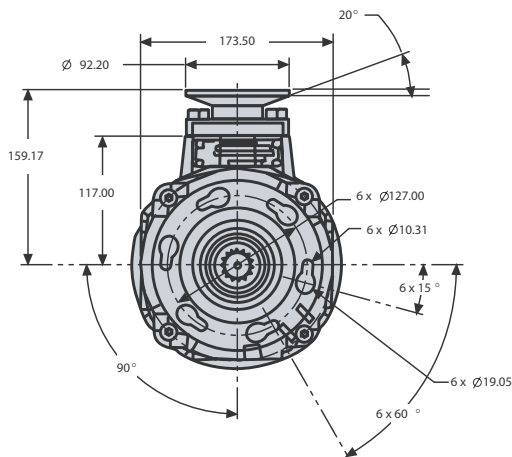
TS799BBEF-LE	31.8
--------------	------



TS799BBEF-LM DIMENSIONS

Weight kg

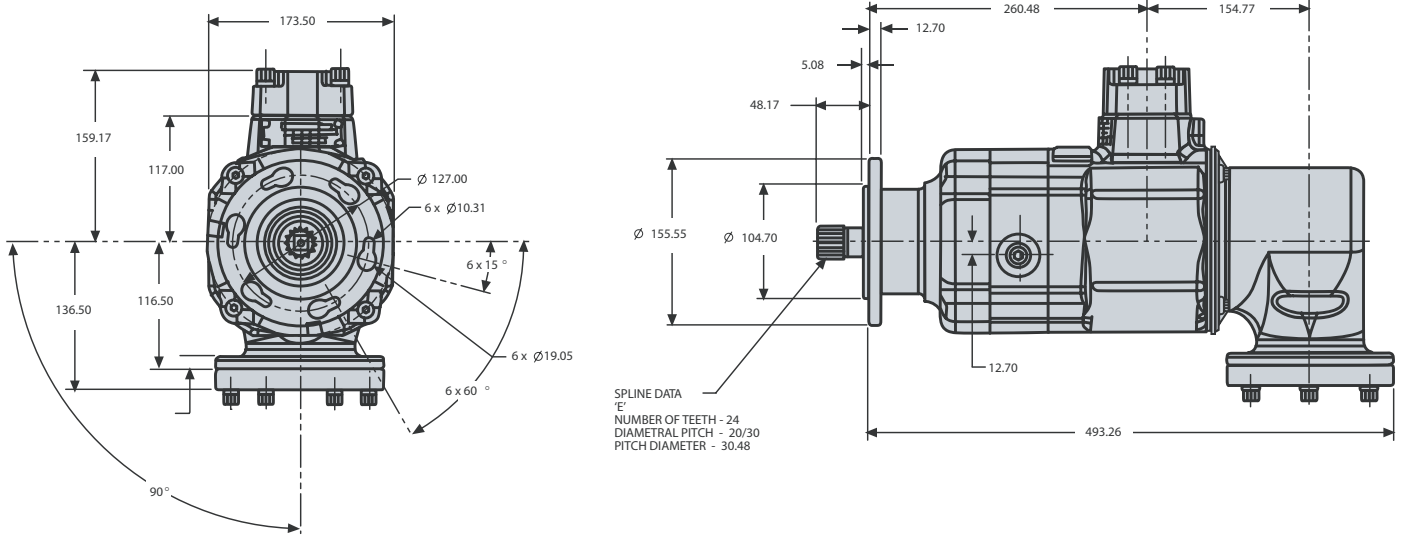
TS799BBEF-LM	28.1
--------------	------



Air Starters

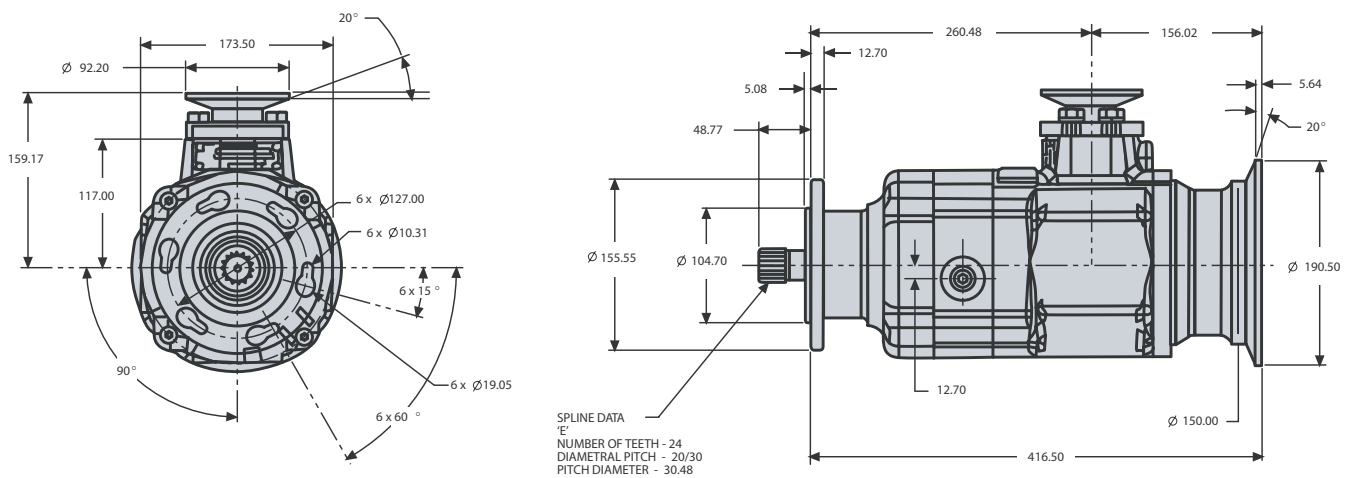
TS799BBEF-LE DIMENSIONS

Weight kg	
TS799BBEF-LE	31.8



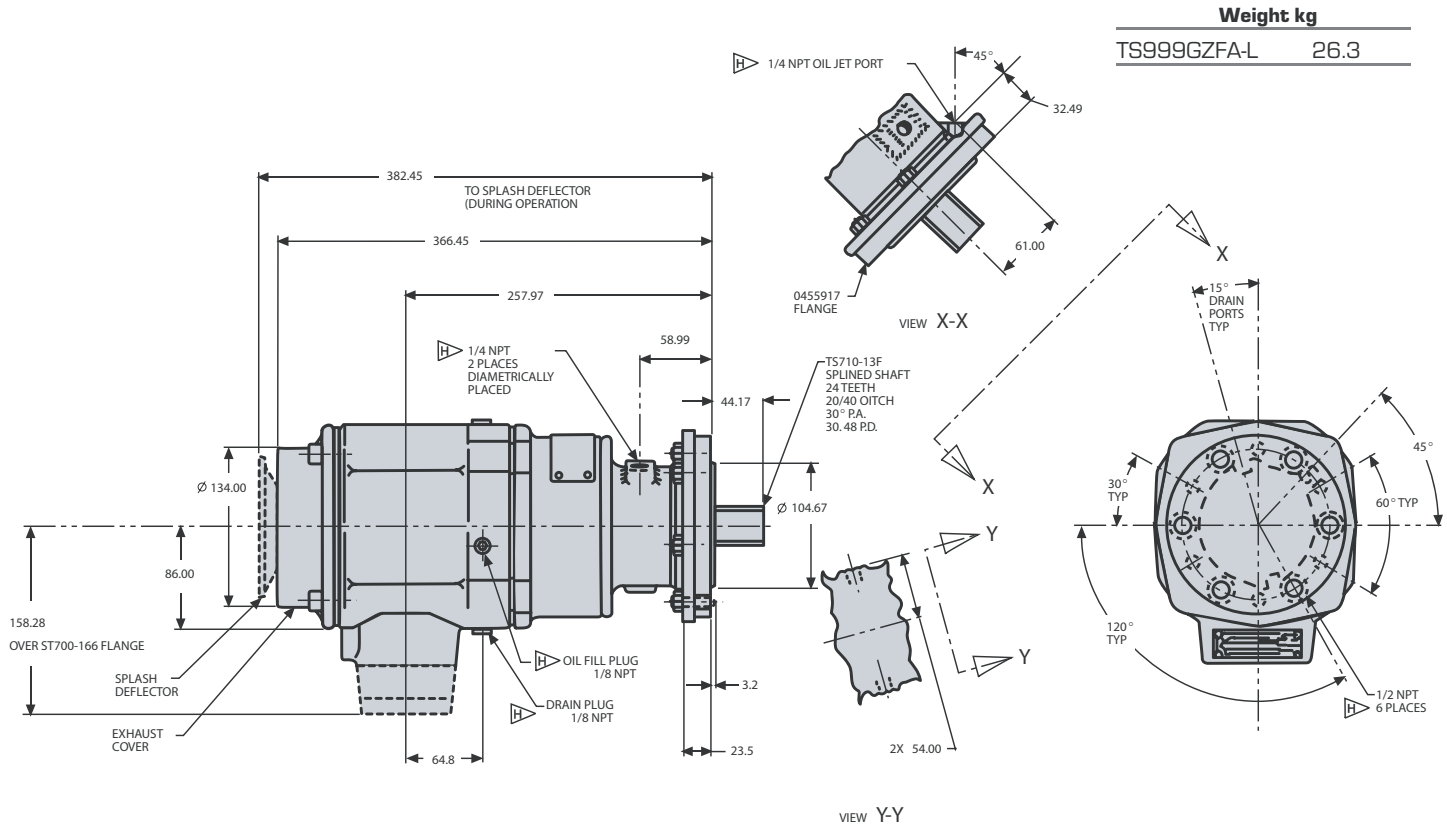
TS799BBEF-LM DIMENSIONS

Weight kg	
TS799BBEF-LM	28.1



Air Starters TS700/TS900/TS1400 Series

TS999GZFA-L DIMENSIONS



TS1400 Turbine Units DIMENSIONS

