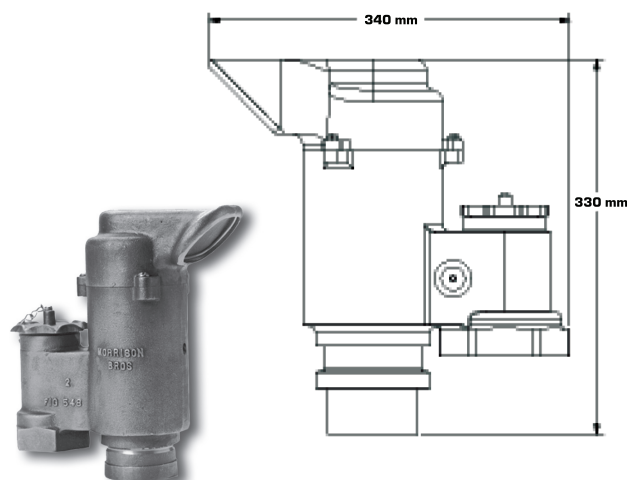


Pressure/Vacuum Vents Model 548

The Model 548 pressure/vacuum vent with gauge hatch is designed for "normal" venting of Aboveground Storage Tanks. It allows tanks to "breathe" during filling and withdrawing operations.

Pressure/Vacuum poppets seal vapors in the tank when pressure is equalized. This vent must be used in conjunction with an emergency vent and it is recommended



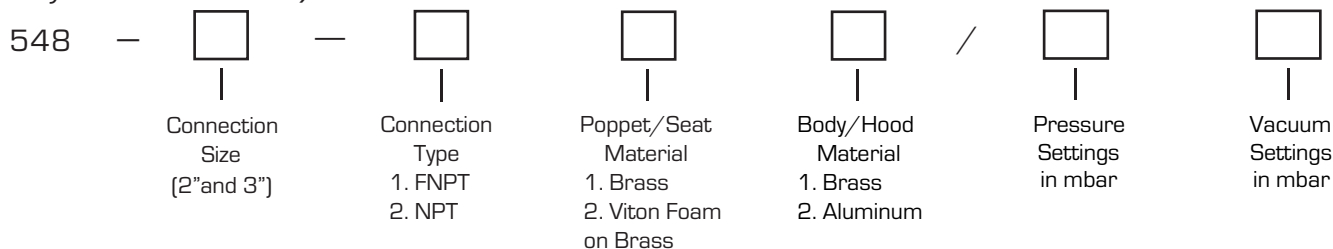
Pressure/Vacuum Vent Setting Range

Model Numbers	Sizes Available	Connections	Pressure	Vacuum
Model 548	2" and 3"	FNPT or NTP	8.6 to 79.0 mbar	4.3 mbar

Materials of Construction

Poppet/Seat Material	Body/Hood Material
Brass Viton Foam on Brass	Brass Aluminum

Key to Pressure/Vacuum Vent Model Number



Example:



Indicates a Pressure/Vacuum Vent with a 3" NPT Thread. The Poppet and Seat are made of Brass and the body is made of Aluminum. The Vent has a Pressure Setting of 58 mbar and a Vacuum Setting of 4.3 mbar