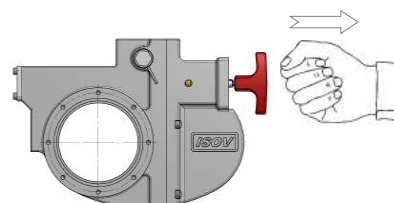
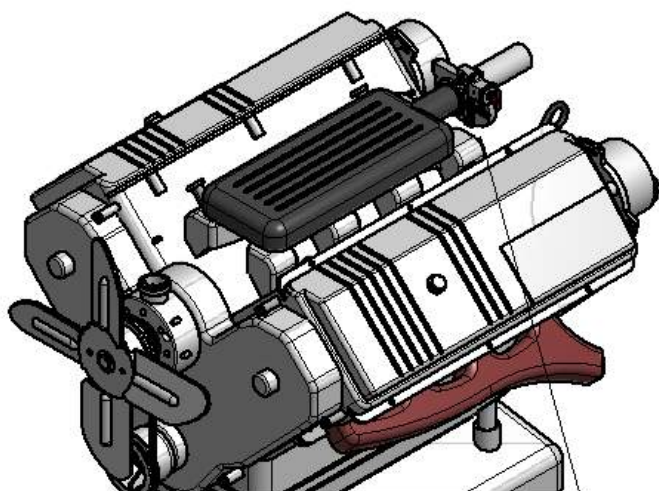


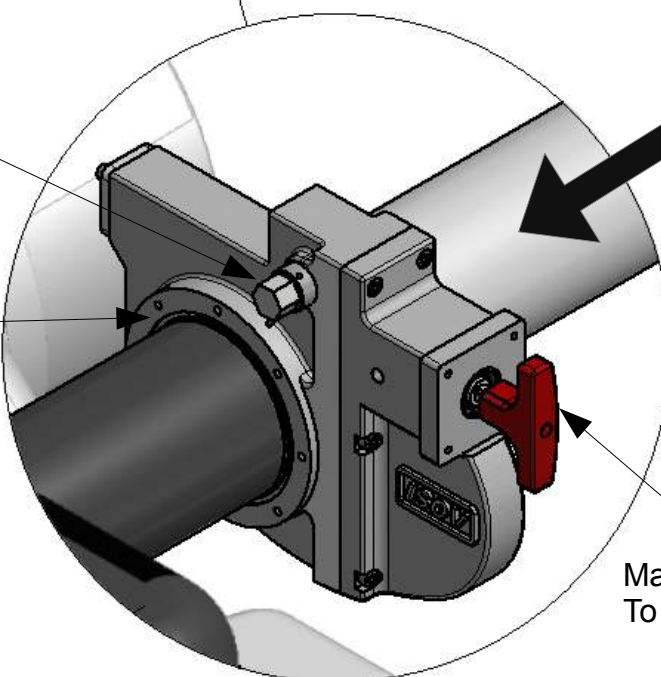
ISOV M-series

Manual ISOV emergency valve



Rotate using a wrench
to open the gate (1)

Various types of
flanges and adapters
are available



Manual tripping handle
To close the gate (2)

The ISOV emergency valve prevent engines for overspeed by shutting off the air intake to the engine.

Prior to starting the engine, the Manual ISOV emergency valve must be latched open by rotating the manual resetting axis (1).

Once latched, the reset lever will remain in the latched open position until released by the action of using the manual tripping handle(2) .

To select the right type of valve, there is a wide range of sizes and flange adapters available

Dimensions and model specifications can be found on page 6